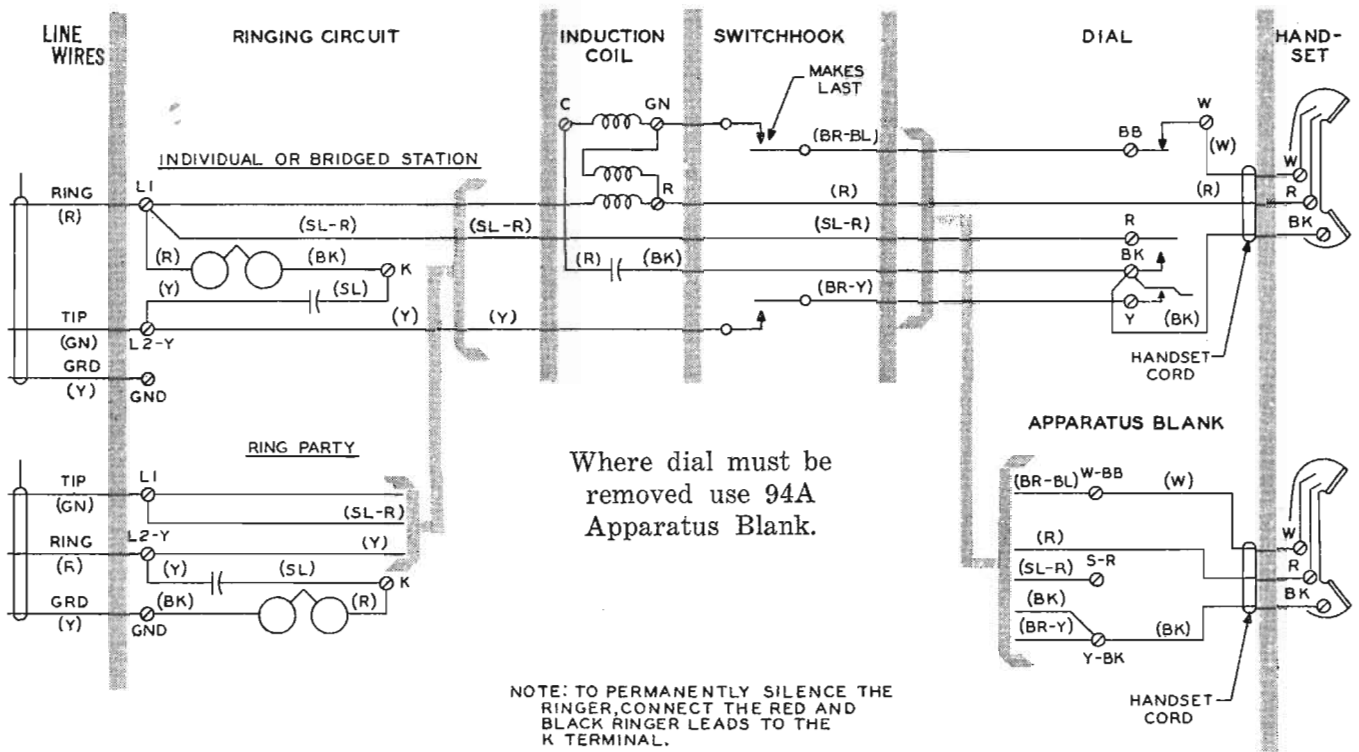


TELEPHONE SETS — 352C COMMON BATTERY — CONNECTIONS

1. CIRCUIT DIAGRAM



NOTE: TO PERMANENTLY SILENCE THE RINGER, CONNECT THE RED AND BLACK RINGER LEADS TO THE K TERMINAL.

Fig. 1 — 352C Circuit Diagram

TABLE A

Components					
Handset	Dial	Induction Coil	Ringer	Capacitor	Filter
F1	5H or 6A	101A	B1AL	195A	61E

TABLE B
LINE AND RINGER CONNECTIONS

2. RINGERS

2.01 The ringers in these sets are of high-impedance type. For information on the number and type of ringing bridges permitted on each line, see Section entitled Ringing Bridge Limitations.

2.02 These telephones do not provide a tip identification ground. They should not be installed as tip partys.

Wire or Lead		Individual or Bridged	Ring Party
Inside Wire in Set	R	L1	L2
	GN	L2	L1
	Y	GND	GND
Ringer Lead	R	L1	K
	BK	K	GND