

1A SPEAKERPHONE SYSTEM CONNECTIONS

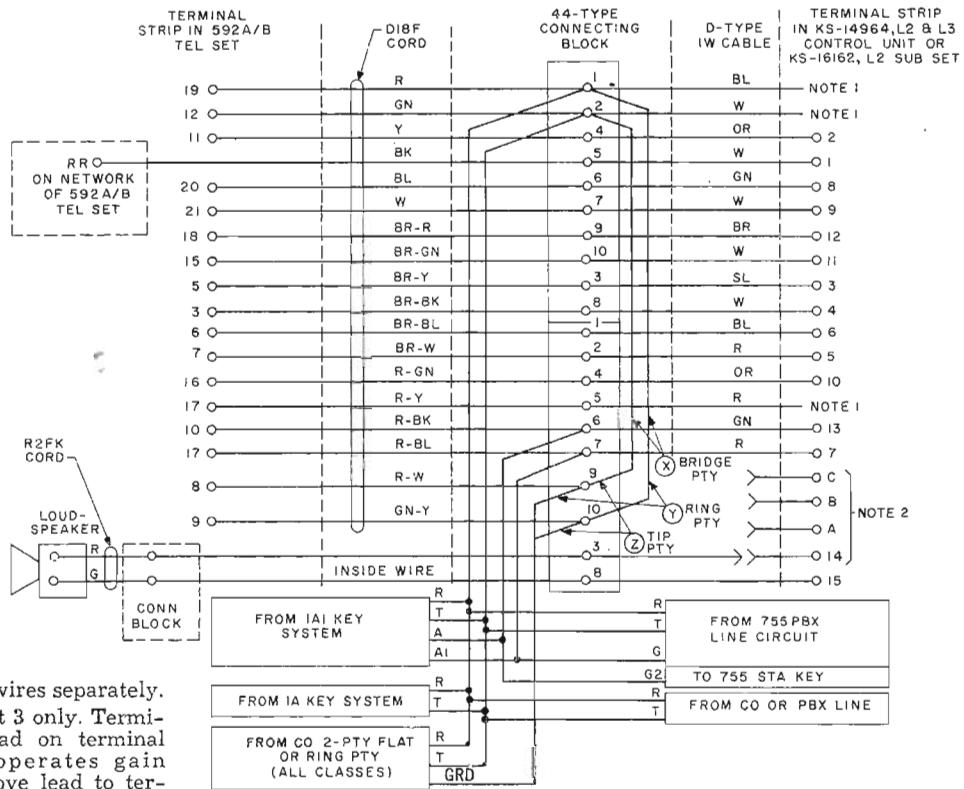
1. GENERAL

1.01 The wiring diagrams shown in this section cover the connections between speakerphone components. Refer to Table A, Index for Speakerphone Components.

- For additional connection information, refer to SD-69255-01.
- For internal wiring of telephone sets, refer to the appropriate Bell System Practices.

TABLE A
INDEX FOR SPEAKERPHONE COMPONENTS

Telephone Sets and Components	Fig.
592 Type	1 and 2
656A Transmitter	3
Key Telephone Set Conversion	Table B
511C/D Telephone Set	4
558C/D Telephone Set	5
565G Telephone Set	6
565H Telephone Set	7
565L Telephone Set	8
566M/B Telephone Set	9
600 Type Telephone Set	10
711B Telephone Set	11
KS-14964, List 2 Control Unit with KS-14990 Amplifier	12



Note 1: Tape ends of wires separately.
Note 2: KS-14964, List 3 only. Terminate loudspeaker lead on terminal 14. If loudspeaker operates gain switching circuit, move lead to terminal A, B, or C, respectively.

Fig. 1 — 1A Speakerphone System — 592-Type Telephone Set

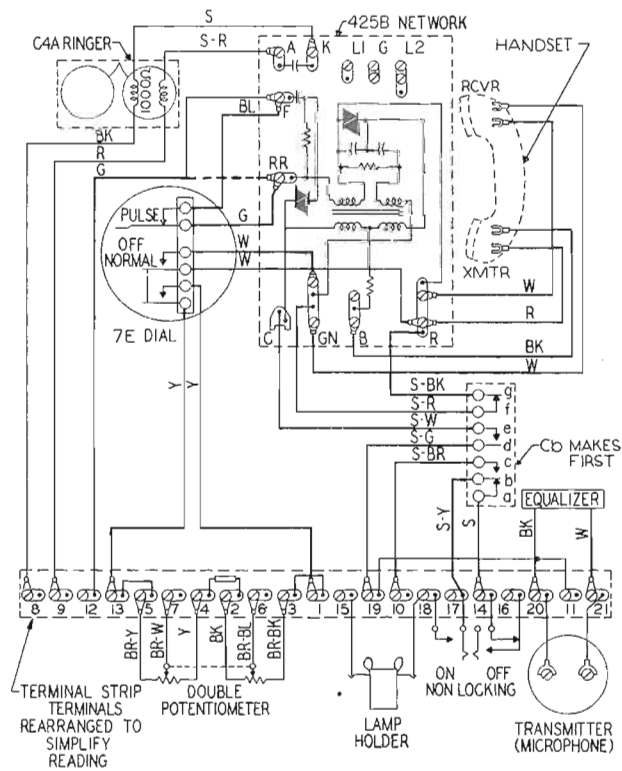


Fig. 2 — 592-Type Telephone Set

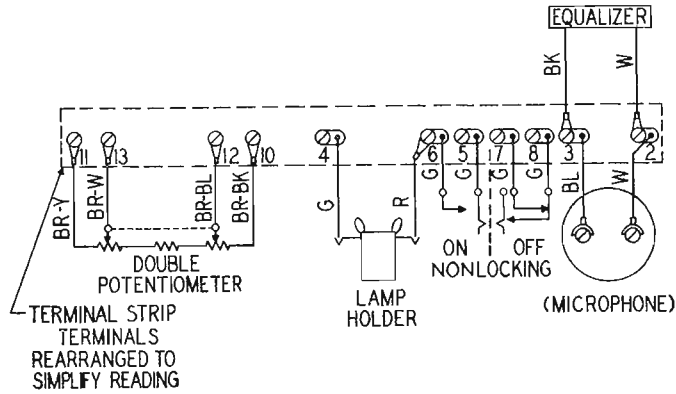


Fig. 3 — 656A Transmitter Unit

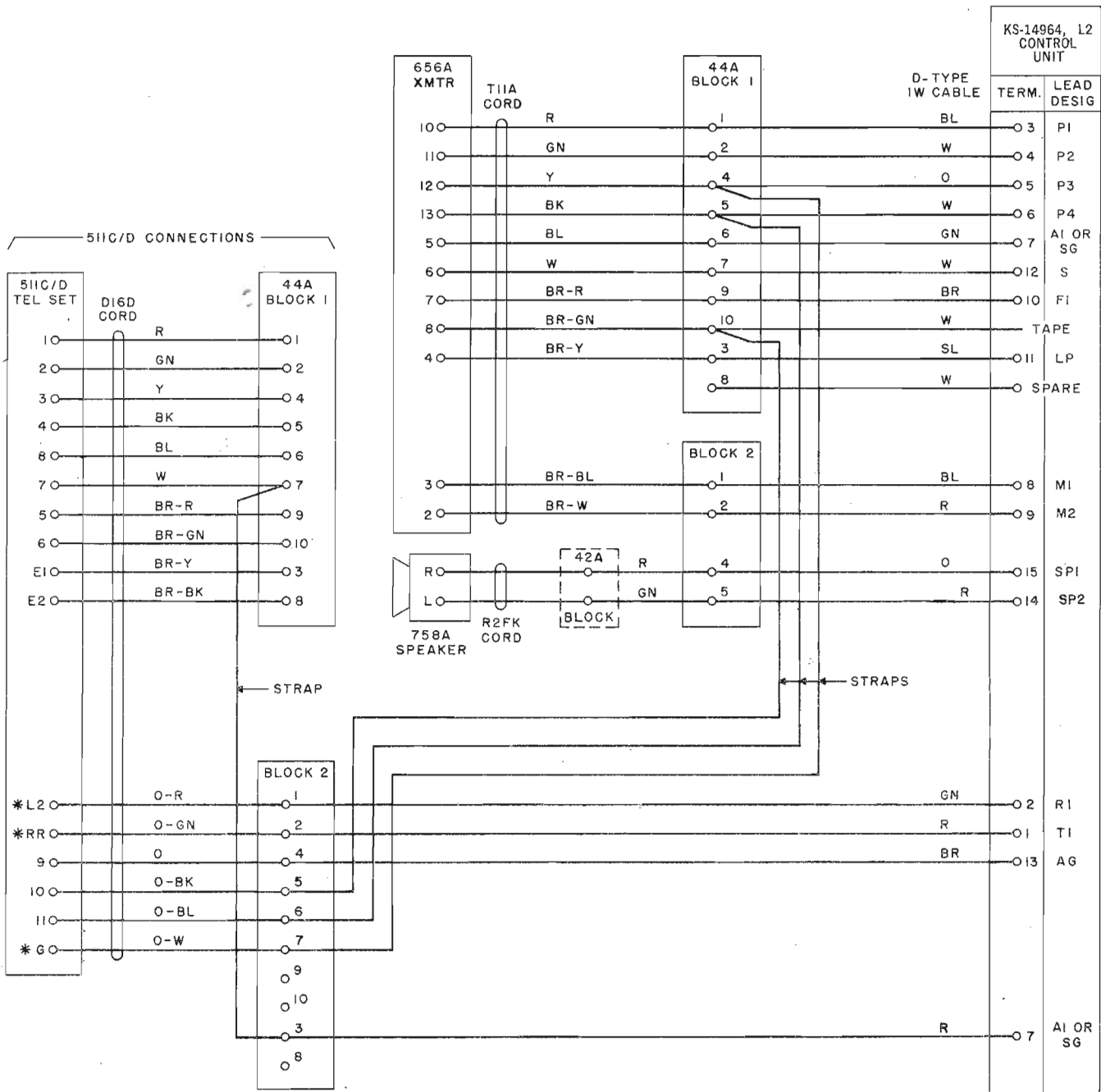
TABLE B
1A AND 1A1 KEY TELEPHONE SET CONVERSIONS
 (With and Without Station Busy Lamps)

Telephone Set	Station Busy LP Circuit	Key Tel Sys	Switch			Hold Key.		Dial Leads		Cord Conductors		MTW Cord
			SL-W	SL-GN	SL-Y	Y	Y-BK	Y	Y	OR-R	OR	
565HA 565HB 565LA 565LB	No	1A	SG	L2*	N	R	M	ON	ON 1	N	†	—
		1A1	1B	N	R	M	N	ON	ON 1	R	N	—
	Yes	1A	SG	L2*	N	R	M	ON	ON 1	N	L2*	—
		1A1	1B	L2*	R	M	N	ON	ON 1	R	L2*	G* to N
565GA 565GB	No	1A	SG	L2*	N	—	—	ON	‡	N	M	—
		1A1	1B	M	N	—	—	ON	‡	N	M	—
	Yes	1A	SG	L2*	N	—	—	ON	‡	N	L2*	—
		1A1	1B	L2*	N	—	—	ON	‡	N	L2*	G* to M

* On network.

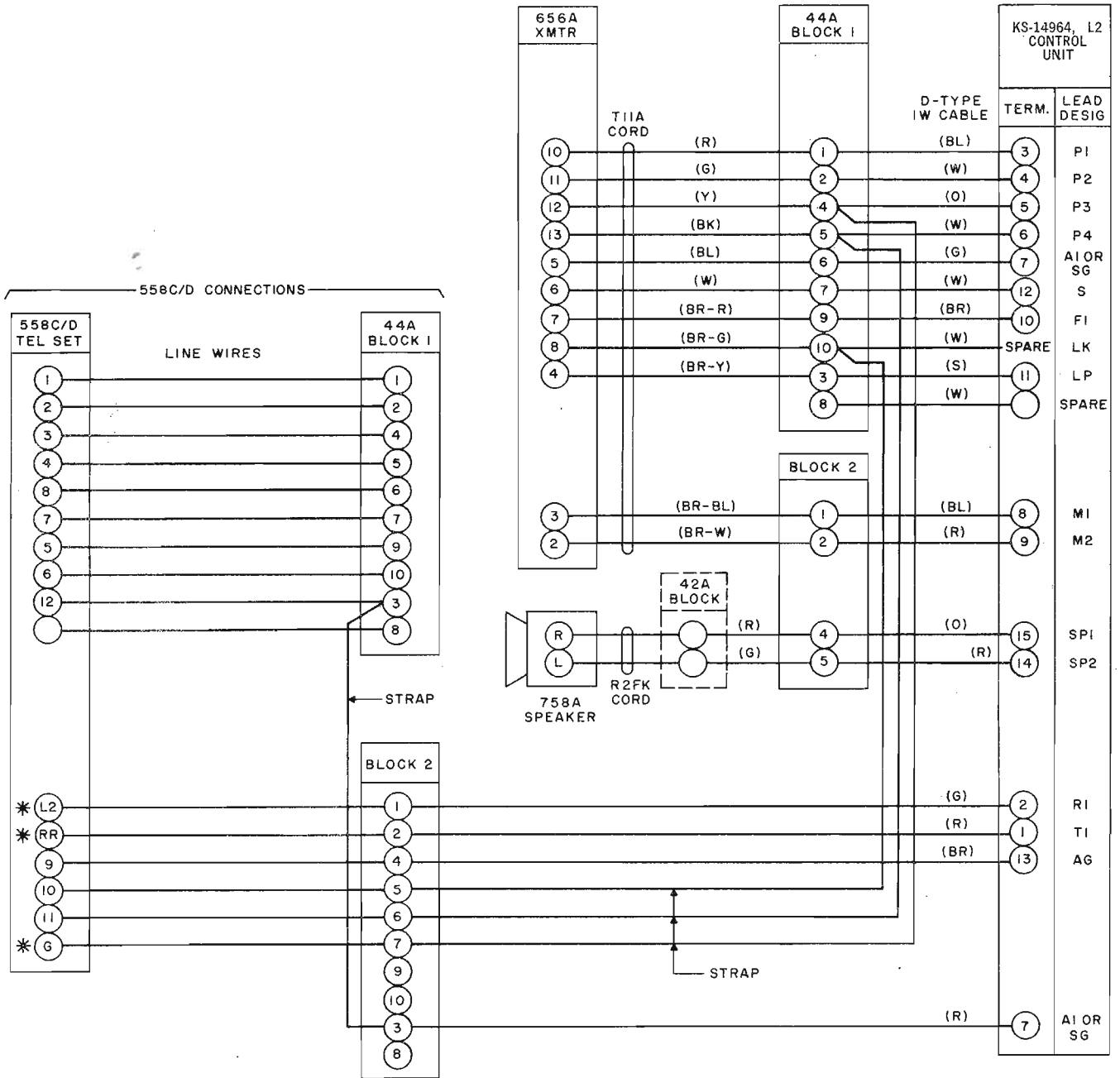
† Tape and store.

‡ Terminal not provided—connect to OR-W conductor of mounting cord with D-161488 connector, or equivalent.



* Terminals on network.

Fig. 4 — 511C/D Telephone Set



* Terminals on network.

Fig. 5 — 558C/D Telephone Set

SECTION 512-610-400CA

565G CONNECTIONS

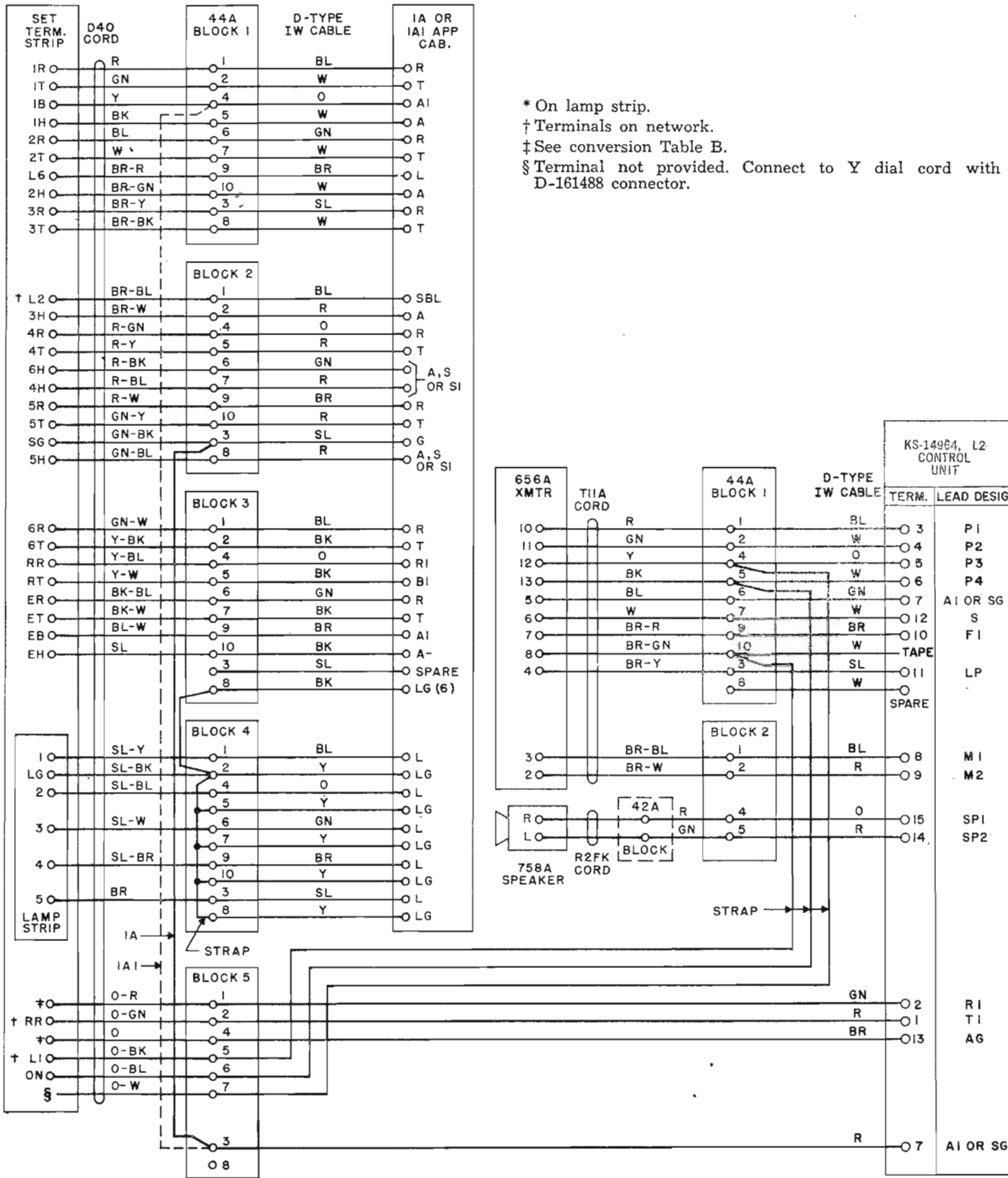


Fig. 6 - 565G Telephone Set

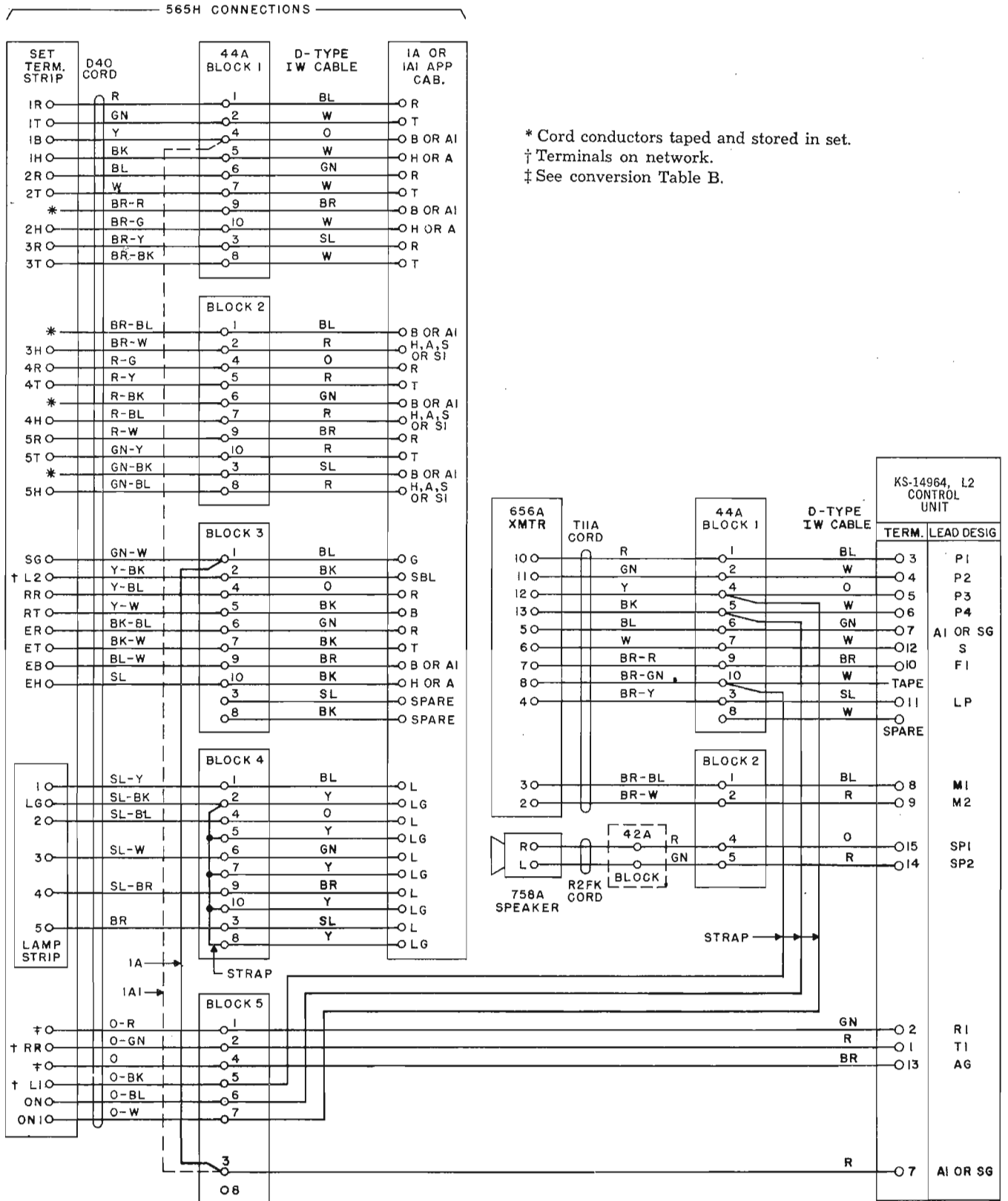


Fig. 7 -- 565H Telephone Set

565L CONNECTIONS

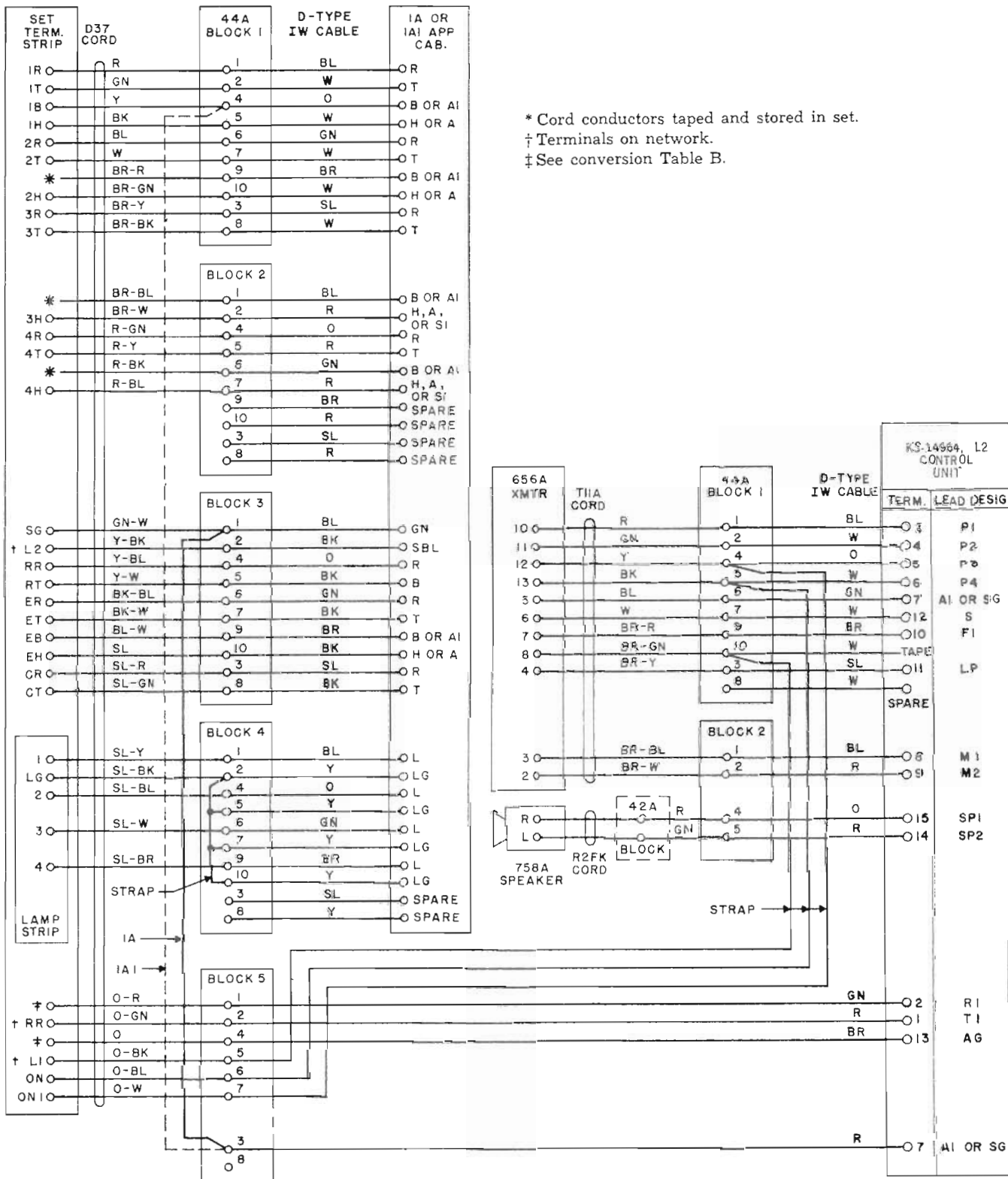


Fig. 8 — 565L Telephone Set

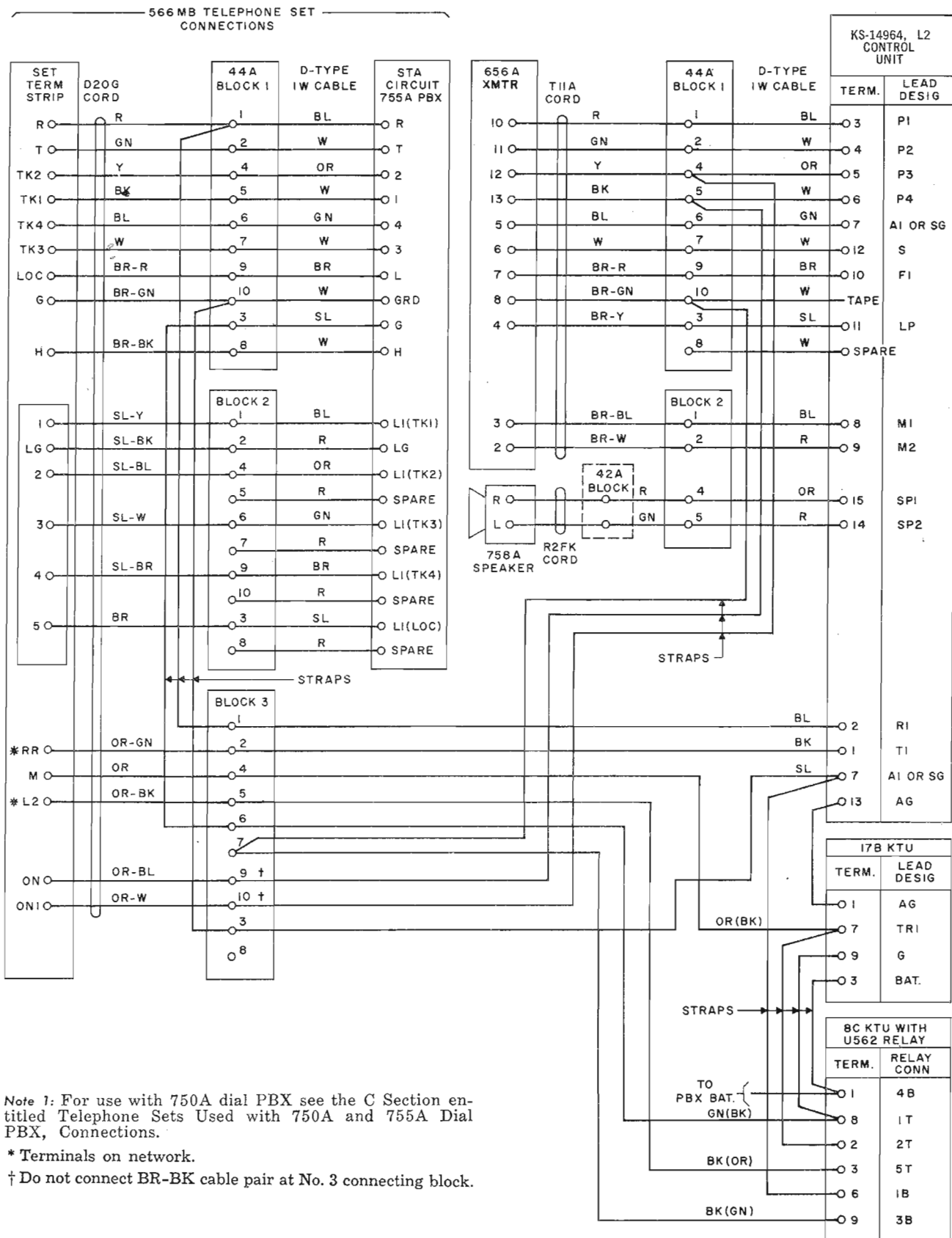
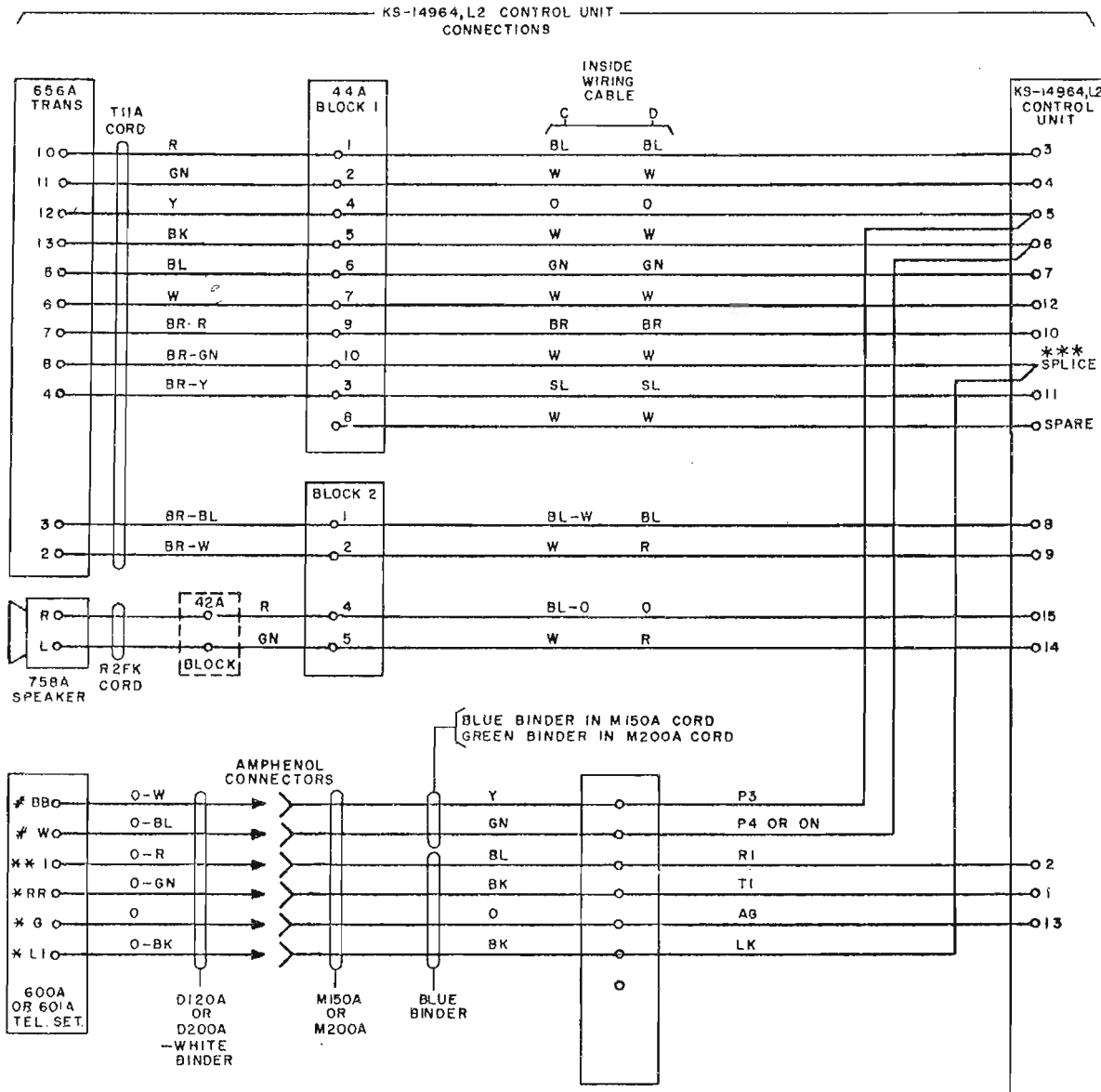


Fig. 9 — 566M/B Telephone Set

SECTION 512-610-400CA



* Terminal on Network. (L2 when station BL required).

Terminal on Dial.

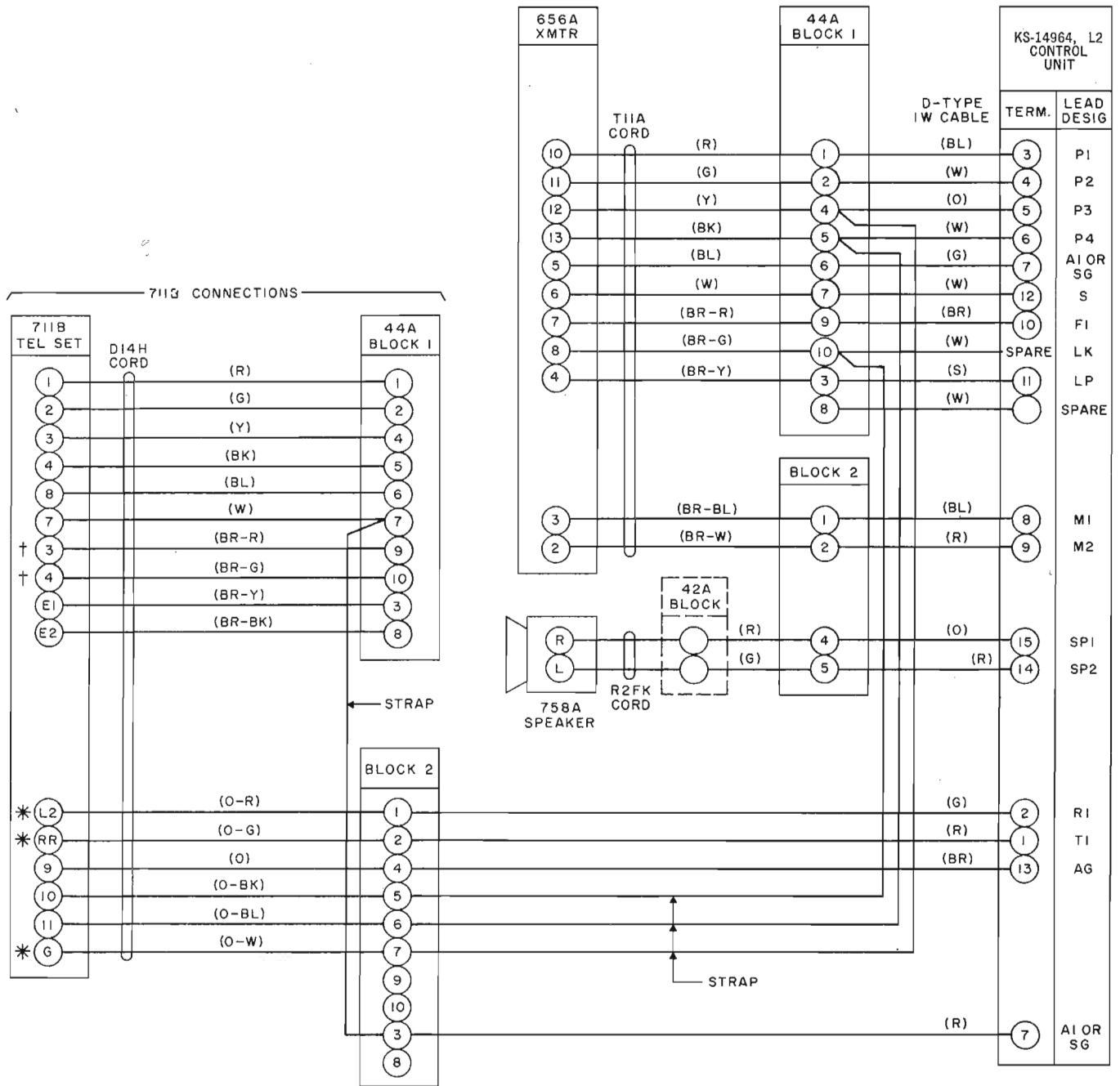
** Terminal on Ringer Terminal Strip.

*** Use D161488 Connector.

Note 1: Maximum allowable distance between control unit and 656A transmitter is 20 feet.

Note 2: When 1A Equipment **only** is used, transfer strap A1 (BR) from terminal 1B to Terminal SG on T.S. VI. At Equipment Location, connect SG Lead to Ground, even if no signaling circuits are provided.

Fig. 10 — 600-Type Telephone Set Connections



Note 1: Outgoing calls are made with handset off-hook and transferred to speaker-
phone. To transfer, the ON button of the 656A transmitter is depressed and held
down until the handset is returned to the cradle.

* Terminals on network.

† Terminals on lamp terminal strip.

Fig. 11 — 711B Telephone Set

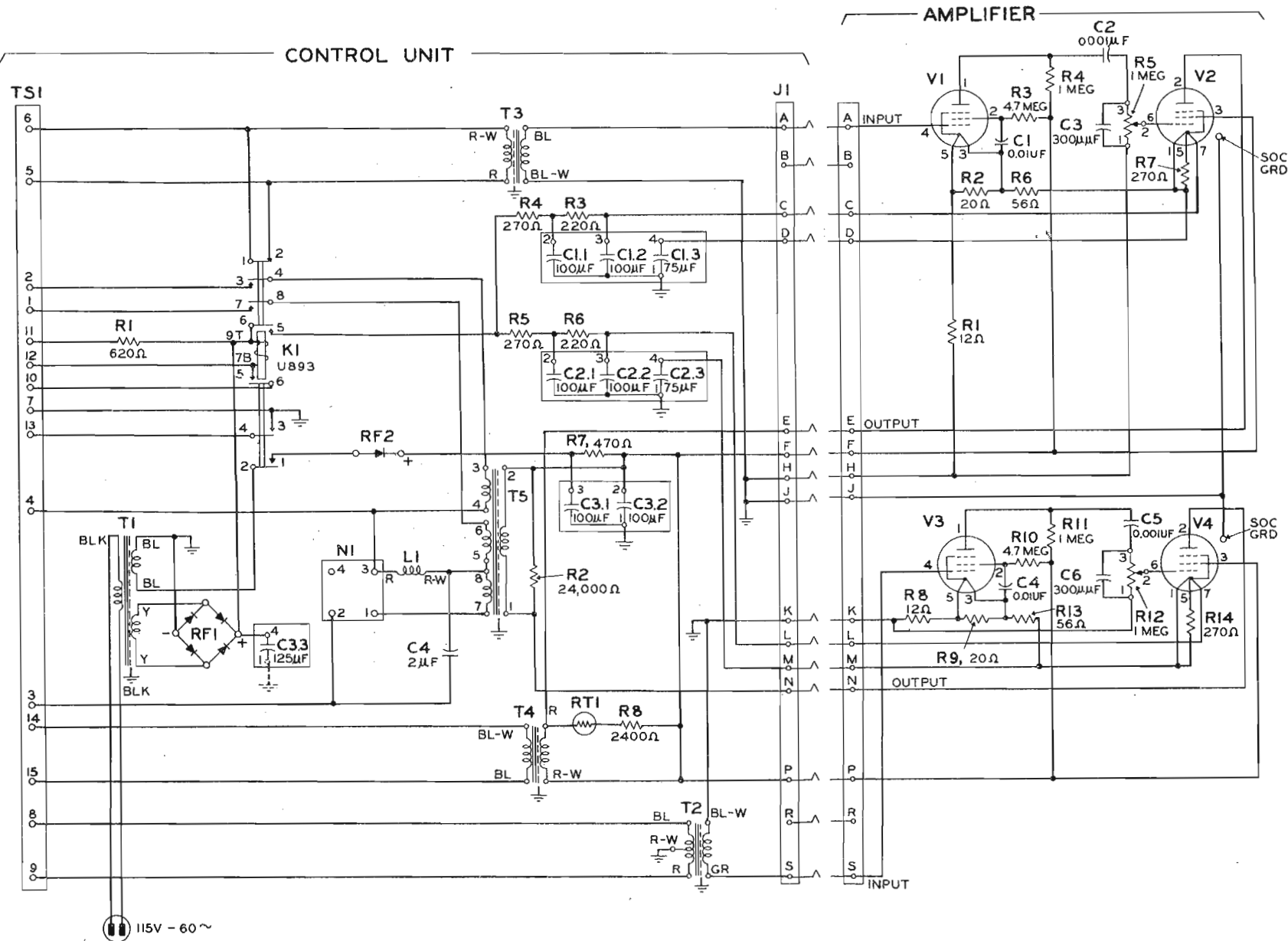


Fig. 12 - KS-14964, List 2 Control Unit with KS-14990 Amplifier