

TELEPHONE SETS — 302 AND 352 TYPES IDENTIFICATION AND ASSEMBLY OF PARTS

1. GENERAL

1.01 The telephone sets in this section are anti-sidetone sets consisting of a handset and a telephone set mounting which, in addition to a dial, houses a ringer, capacitors, and induction coil.

1.02 The housing material in these sets may be either metal or plastic.



Fig. 1 — 302G Telephone Set — Exterior

2. IDENTIFICATION

2.01 The 302-type and 352-type telephone sets shown in Figs. 1, 2, 3 and 4 are used on common battery non-polarized ringing lines in manual or dial areas.

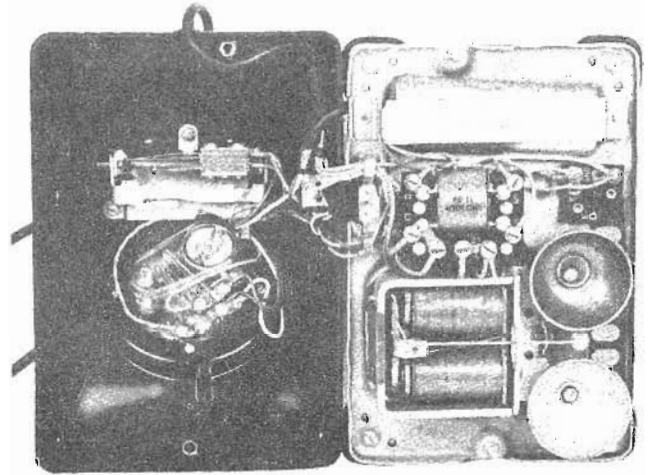


Fig. 2 — 302G Telephone Set — Interior

3. ASSEM PARTS

3.01 On 302-type telephone sets, the base plate and housing are joined by a fabric strap which permits the telephone set to be opened to

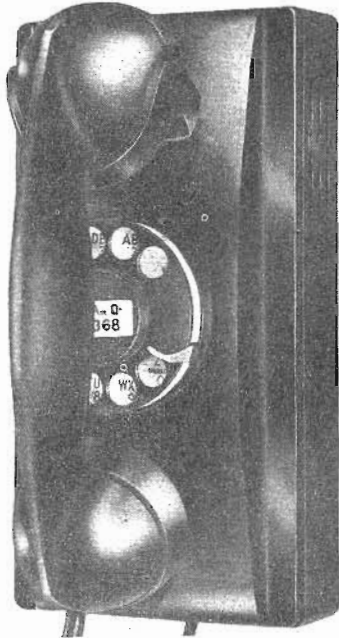


Fig. 3 — 352C Telephone Set — Exterior

an angle of at least 180 degrees. When closed, the housing is secured to the base plate by two captive mounting screws, which have either a captive lock-washer or internal tooth lockwasher under the head of the screw.

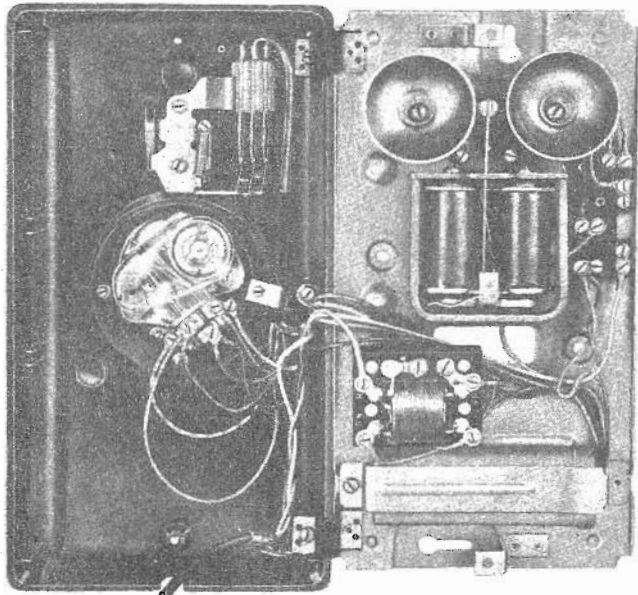
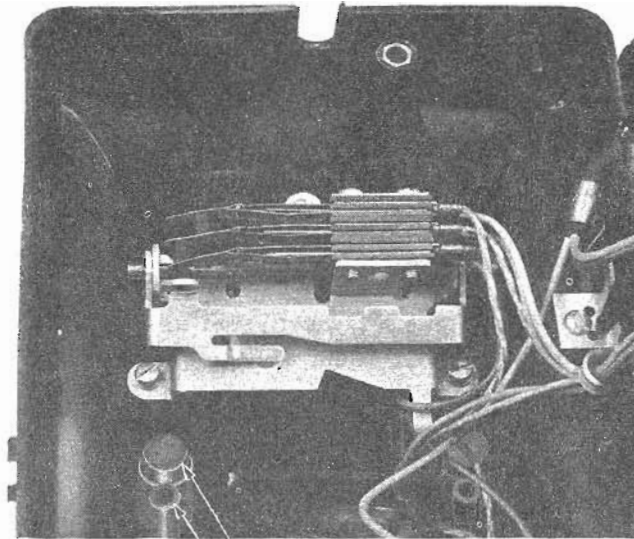


Fig. 4 — 352C Telephone Set — Interior

3.02 The 352-type wall telephone sets are joined by two fabric straps which permit the telephone set to be opened to an angle of at least 100

degrees. When closed, the housing is secured to the base plate by two captive mounting screws.



MOUNTING HOLE SWITCHHOOK ASSEMBLY — PLUNGER

Fig. 5 — Plunger and Switchhook Assembly

3.03 The plungers and handhole cover on the 302-type telephone sets are held in place by the switchhook assembly. Fig. 5 shows the mounting of the switchhook assembly.

3.04 Fig. 6 shows the mounting of the switchhook assembly in the 352-type telephone set.

3.05 Fig. 7 shows the assembly of a 6A dial with a 59A adapter in the 302G telephone set. Fig. 8 shows the assembly of a 5H dial in the 352C telephone set.

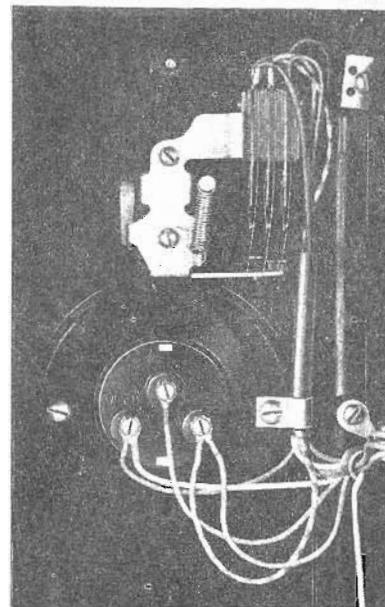


Fig. 6 — Switchhook and 94A Apparatus Blank Assembly



Fig. 7 - Dial Assembly - 302G Telephone Set

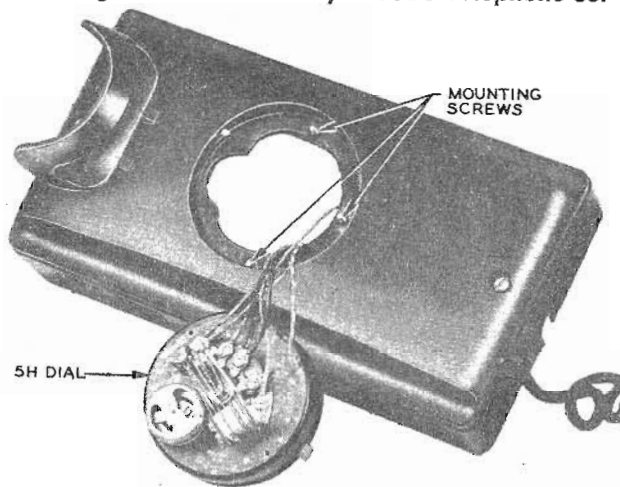


Fig. 8 - Dial Assembly - 352C Telephone Set

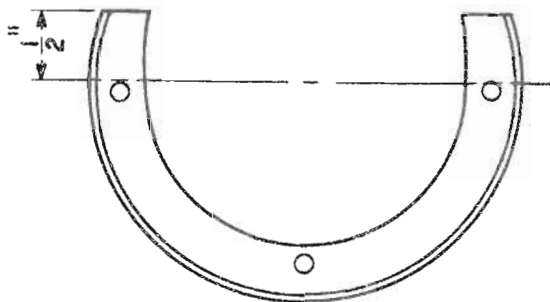


Fig. 9 - Modified 59A Dial Adapter

3.06 When a 6-type dial is used as a replacement and where a 59A dial adapter is present, it may be necessary to alter the dial adapter to provide clearance without binding between the plastic cover on the 6-type dial and the dial adapter. This may be accomplished by cutting the adapter to the approximate dimensions shown in Fig. 9. If this is done, the adapter may be used interchangeably with 5- or 6-type dials. 59B dial adapters may be used.

3.07 Position the cord tips and dress the wires connected to the terminals of the dial so that they do not short adjacent terminals or interfere with moving parts.

3.08 On desk-type sets the terminals of the 6-type dial may obstruct the ringer clapper rod when the ringer is mounted on a triangular mounting bracket. To provide the necessary clearance, two captive mounting washers should be placed on each of the mounting screws which hold the upper housing to the base plate of the telephone set (see Fig. 10).

3.09 The 82A apparatus blank is superseded by the 94A apparatus blank for use in the 302 type telephone sets. Fig. 6 shows the assembly of the 94A apparatus blank.

3.10 Ringer assembly where the P-43A293 bracket is part of the telephone set mounting is shown in Fig. 10. When the P-298695 bracket is part of the telephone set mounting, mount the ringer as shown in Fig. 11. The left ringer gong is omitted for clarity.

4. COLORED SETS — ASSEMBLY OF PARTS

4.01 The assembly of parts for colored telephone sets in the 300 series is generally the same as for black telephone sets. If replacement of these sets is necessary, use 500 series colored telephone sets.

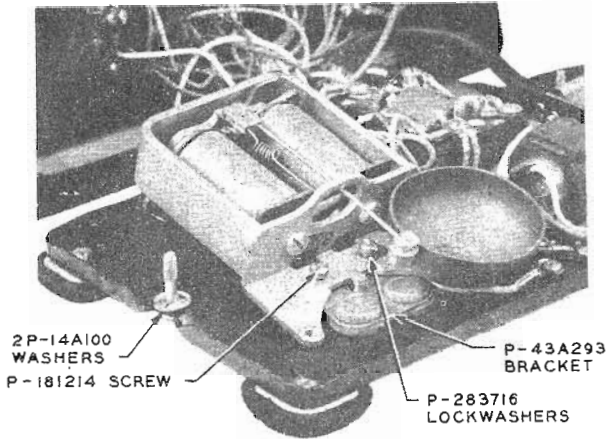


Fig. 10 — Ringer Assembly Using P-43A293 Bracket

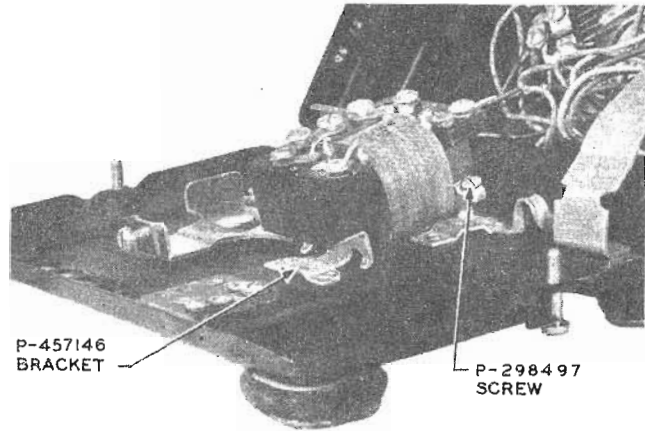


Fig. 12 — Induction Coil Assembly

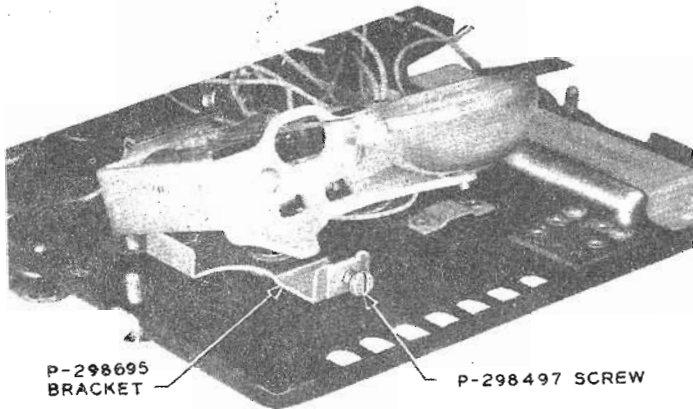


Fig. 11 — Ringer Assembly Using P-298695 Bracket

3.11 Cords shall be properly anchored within the mounting. The mounting cord should be attached first, towards the hinge of the set, and then the handset cord should be attached. Cord leads should be dressed to avoid interference with ringer gongs. Two new vinyl-jacketed mounting cords having a combination stay cord hook and S hook assembly are available for replacement of neoprene and vinyl-jacketed cords.

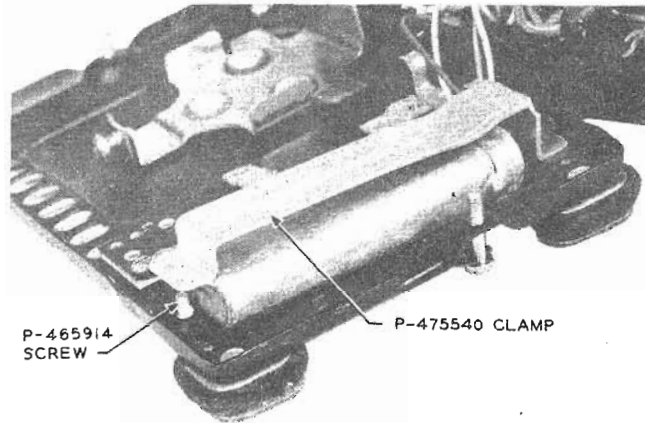


Fig. 13 — Capacitor Assembly