

SERVICE

1A KEY TELEPHONE SYSTEM

INTERCOM SERVICES

1. GENERAL

1.01 This section provides connection information for the signaling and cut-through key telephone units used in intercom service arrangements for the 1A Key Telephone System. A schematic and connection figure is shown for each key telephone unit.

1.02 Information in this section was formerly contained in Sections 518-112-404, 518-112-409 and 518-112-416 which are hereby canceled.

1.03 For additional connection information, refer to the following:

- SD-69199-01—Key Telephone System No. 1A, Intercommunicating Line Circuit
- SD-69091—Key Telephone System No. 1A, Line and Signaling Circuit

- 518 Division, Section entitled "Service-1A 50-Type Packaged Units"
- 518 Division, Section entitled "Service-1A Tie Line and Control Services"

2. CONNECTION INDEX

Fig. 1—3A Key Telephone Unit, Intercommunicating Signaling Circuit

Fig. 2—13C Key Telephone Unit, Automatic Signaling Intercommunicating Circuit

Fig. 3—29A Key Telephone Unit (Cut-Through Relay Circuit) with 6C, 25B, and 26B KTUs Arranged for Automatic Cutoff and/or Flashing Line Lamps for Intercom Line with Dial Selection of Stations.

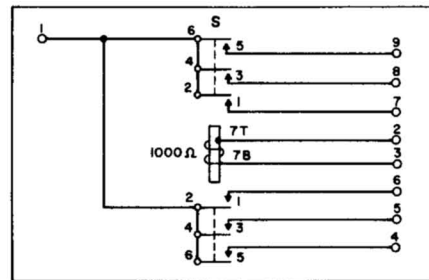
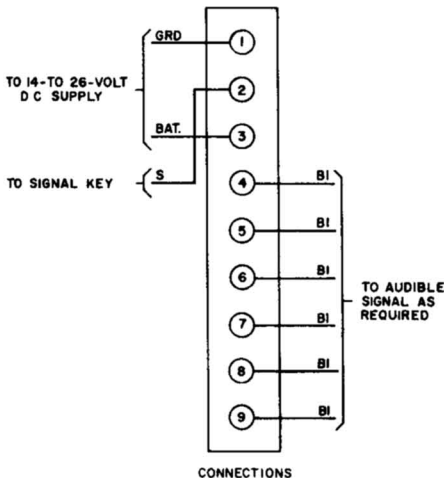


Fig. 1—3A Key Telephone Unit, Intercommunicating Signaling Circuit

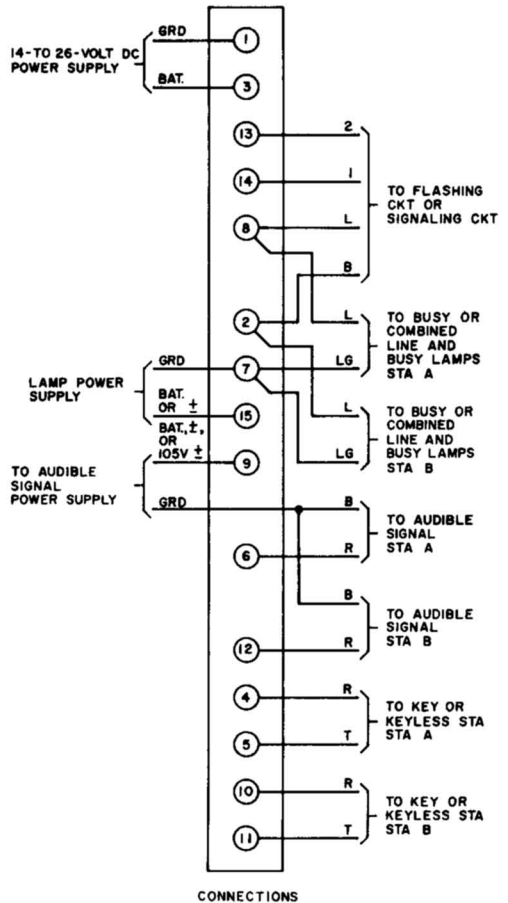
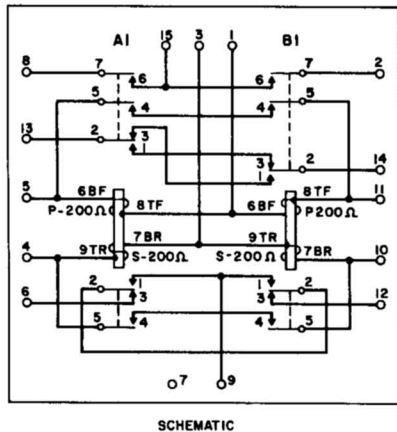


Fig. 2—13C Key Telephone Unit, Automatic Signaling Intercommunicating Circuit

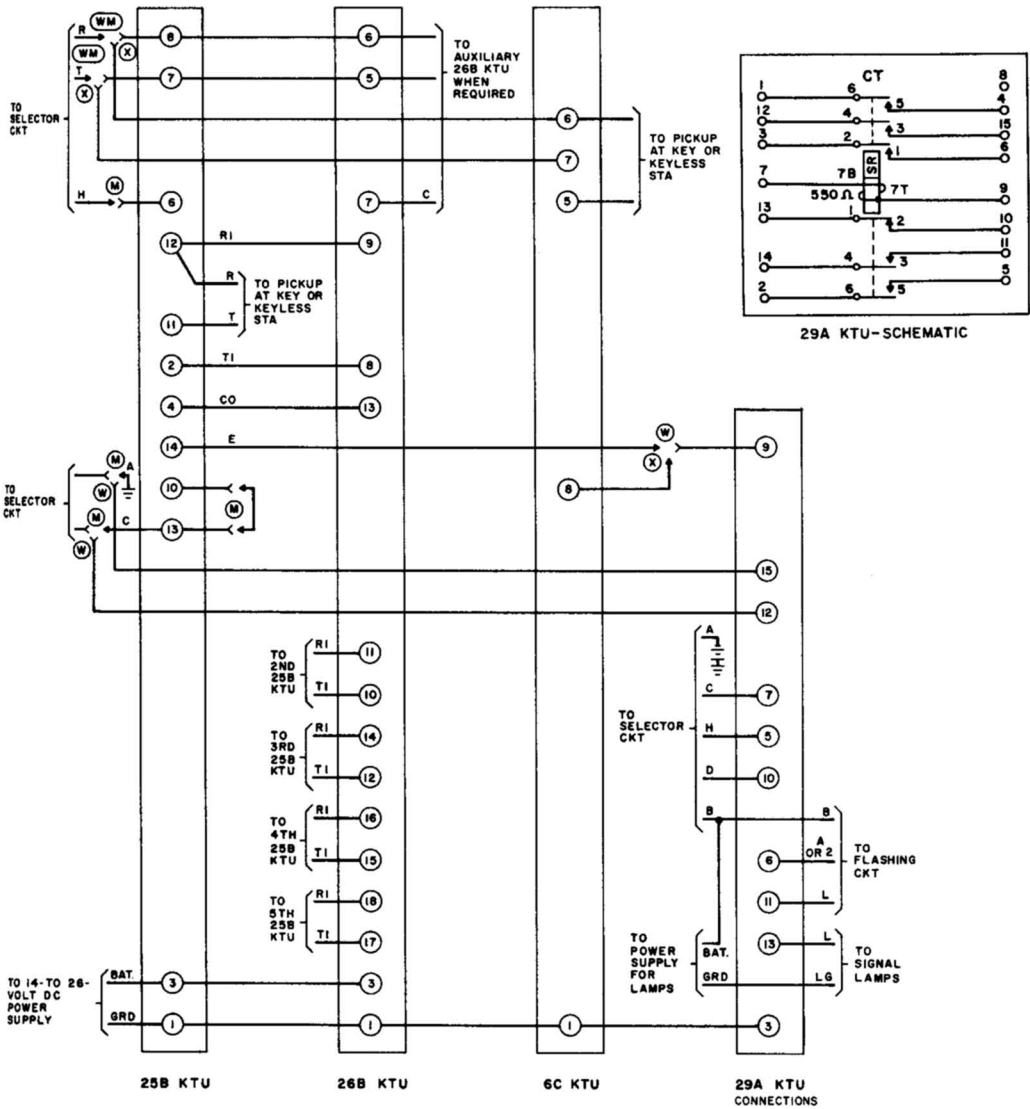


Fig. 3—29A Key Telephone Unit (Cut Through Relay Circuit) with 6C, 25B and 26B Key Telephone Units Arranged for Automatic Cutoff and/or Flashing Line lamps for Intercom Line with Dial Selection of Stations