

89/13

TELEPHONE SETS — 302AA, AC  
COMMON BATTERY — CONNECTIONS

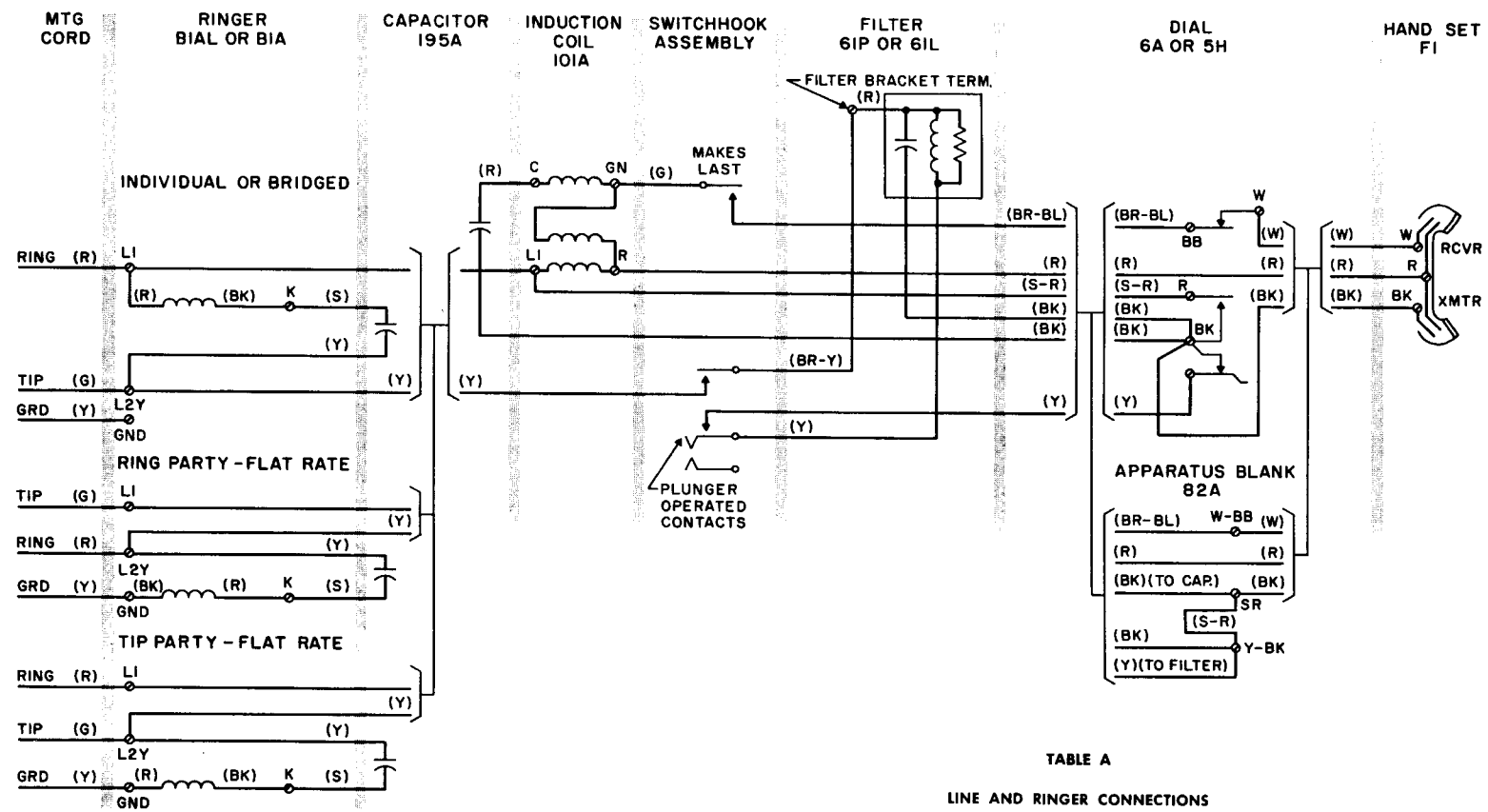


TABLE A  
LINE AND RINGER CONNECTIONS

Wire or Lead		Individual or Bridged	Ring Party Flat Rate	Tip Party Flat Rate
Mounting Cord in Set	R	L1	L2Y	L1
	G	L2Y	L1	L2Y
	Y	Gnd	Gnd	Gnd
Ringer Lead	R	L1	K	Gnd
	BK	K	Gnd	K
Mounting Cord at Connecting Block	R	R	R	R
	G	G	G	G
	Y	Y	Y	Y
Line Wire at Connecting Block	Ring	R	R	R
	Tip	G	G	G
	Grd	Y	Y	Y

**Note 1:** These sets must be equipped with filter.  
**Note 2:** To silence ringer permanently, connect both red and black ringer leads to K terminal.  
**Note 3:** To convert to manual, remove slate-red wire from L1 of induction coil and R of dial, and terminate on SR and Y-BK of apparatus blank.

Fig. 1 — 302 AA, AC Telephone Sets