

ENGINEERING NOTES:

51-CONDUCTORS THAT ARE EQUIPPED WITH GOLD PLATED CONTACTS AND SPRINGS ARE FOR TRANSMISSION PATHS.

52-THE CROSS CONNECT TERMINAL STRIP (FIGURE 6A AND 10A) IS PROVIDED TO ALLOW MOTEL PABX STATION LISTED TELEPHONE NUMBER AND ROOM NUMBER TO BE THE SAME.
CROSS CONNECT TERMINAL STRIP TERMINALS A10-A00 ARE NORMALLY STRAPPED TO CORRESPONDING TEN COIL TERMINALS C10-C00 RESPECTIVELY. IF A DIFFERENT ARRANGEMENT IS DESIRED, STRAP AS REQUIRED.

EXAMPLE:

ASSUME A MOTEL WITH 2 FLOORS OF 30 ROOMS EACH, WHICH NUMBER 100-129 ON FIRST FLOOR AND 200-229 ON SECOND FLOOR. THEN ASSUME FIRST FLOOR TELEPHONES ARE ASSIGNED TO BANK MULTIPLE 01-09, 00; 11-19, 10; 21-29, 20; AND SECOND FLOOR TELEPHONES ARE ASSIGNED TO BANK MULTIPLE 31-39, 30; 41-49, 40 AND 51-59, 50. FOR THIS ARRANGEMENT THE CONNECTOR SWITCHES WOULD BE STRAPPED PER REFERENCE FIGURE 7'S.

53-CONNECT LEAD VTJ TO LEAD LK TO SIMULATE A COMPLETED TENS SELECTION WHEN A UN-ASSIGNED TEN DIGIT IS DIALED. THIS WILL ALLOW BUSY TONE TO BE RETURNED AFTER THE UNIT DIGIT.

54-TOP HORIZONTAL COILS PULL THEIR RESPECTIVE "LADDERS" UPWARD AND BOTTOM HORIZONTAL COILS PULL THEIR RESPECTIVE "LADDERS" DOWNWARD.

55-NORMALLY A SWITCH (MATRIX) SHELF IS PROVIDED WITH ONLY ONE (1) ALLOTTER HIGHWAY ("R") THEREFORE, USE "R" TYPE SWITCHES. SOME SWITCH (MATRIX) SHELVES ARE PROVIDED WITH TWO (2) ALLOTTER HIGHWAYS ("R" AND "S") THAT PERMIT TWO(2) SIMULTANEOUS SELECTIONS THEREFORE BOTH "R" OR "T" AND "S" OR "U" TYPE SWITCHES CAN BE USED.
"R" TYPE SWITCHES THAT HAVE A SC LEAD IN ALLOTTER POSITION 40 ONLY CAN NOT BE PLACED IN THE SAME SWITCH (MATRIX) SHELF WITH "S" TYPE SWITCHES.

SYMBOLS

- INDICATES BANK (LINE OR ALLOTTER) MULTIPLE BUS BAR (LINE BAR) THRU SWITCHES INTO CENTER JACK.
- HEAVY LINES INDICATES VERTICAL COIL ASSEMBLY CONTACT MULTIPLE BAR
- JACK TERMINAL
- JACK TERMINAL (COMMON)
- ✱ TERMINAL ON CROSS-CONNECT TERMINAL STRIP

MANUFACTURING NOTES:

1-NUMBER IN () INDICATES MOUNTING POSITIONS OF THE ALLOTTER SPRINGS IN THE SWITCH BANK PLATES.

2-FOR FIGURE 2B STENCIL VERTICAL COILS ACCORDING TO NUMBERS SHOWN IN [].
FOR FIGURE 11B STENCIL VERTICAL AND HORIZONTAL COILS ACCORDING TO NUMBER AND LETTER SHOWN IN [].

ASSOCIATED DRAWINGS		
DRAWING NO.	ISS.	DESCRIPTION
E-851053-A	1	EXPLANATION

DESIGNED F. KELLOGG	DR. S.S.	CROSS POINT SWITCH CIRCUIT
APP'D S.J. CZARNECKI	CK. D.R.	
SCALE: 1" = 1"	DATE: 3-6-72	
DO NOT SCALE DRAWING		H-851053-A
<small>NOT FOR PUBLICATION</small> <small>THIS DRAWING IS THE PROPERTY OF AUTOMATIC ELECTRIC COMPANY. IT IS TO BE USED ONLY FOR THE SPECIFIC PROJECT AND IS NOT TO BE REPRODUCED OR COPIED IN WHOLE OR IN PART, OR TO BE USED FOR ANY OTHER PURPOSE, WITHOUT WRITTEN PERMISSION FROM AUTOMATIC ELECTRIC COMPANY. THIS NOTICE DOES NOT APPLY TO THE U.S. GOVERNMENT TO THE EXTENT THAT IT IS INCORPORATED INTO ANY CONTRACT WITH THE GOVERNMENT UNDER WHICH THIS DRAWING IS DELIVERED.</small>		
AUTOMATIC ELECTRIC COMPANY		SHEET 1 OF 15
NORTHLAKE, ILL., U.S.A. GENOA, ILL., U.S.A. WAUKESHA, WISC., U.S.A. O		

H-851053-A

H-851053-A

SHEET 1 OF 15

CHANGES

ISSUE: 1

2-H-851053-A (CLB)
FIG. 15A REVISED WIRING. M.J.
M.J. 5-20-72

ISSUE: 2

3-H-851053-A (CLB)
ADDED FIGS. 3C AND 3C
TABLE A REVISED & REDESIGNED
M.J. 5-26-76

ISSUE: 3

TABLE A

DESCRIPTION (NOTE 55)	ORDERING FIGURE	CENTER JACK FIGURE	GOLDPLATED MULT. SPRINGS & MULT. CONTACT BARS (NOTE 51)	STOCKLIST	CABLE	REPLACED DRAWINGS				WHERE USED
						STOCKLIST	CIRCUIT	BANK MULTIPLE	STOCKLIST	
4 X 30 + SC LEAD	1A	CJA	+	DH-851053-905A	H-983500-1	DH-851053-A90A	AC-3348	NL-19955-A	WC-3099	25M., 30D
4 X 60 + SC LEAD	2A	CJB	+	DH-851053-906A	H-983501-1	DH-851053-A91A	A-3651	NL-19951-A	W-3266	40A, 40B, 40M, 40KS
4 X 60 + SC LEAD	2B	CJB	+	DH-851053-906B	H-983501-2	DH-851053-A91B	H-850913-A (FIG. 1A)	DH-721343-90A		
3 X 100 (R)	3A	CJC	+	DH-851053-907A	H-983502-1	DH-851053-A92A	H-850913-A (FIG. 1B)	DH-721343-90B		ACD SYSTEMS
3 X 100 (T)	3B	CJC	+	DH-851053-907B	H-983502-2	DH-851053-A92B	A-1609	NL-19950-R	W-1001	CAX
3 X 100 (R)	3C	CJC	+	DH-851053-907C	H-983502-1	DH-851053-A92C	A-1609	NL-19950-R	W-1001	TEST CONNECTOR
3 X 100 (S)	4A	CJC	+	DH-851053-908A	H-983503-1	DH-851053-A93A	A-1609	NL-19950-S	W-1001	CAX FINDER DR. SEL. -TPL
3 X 100 (U)	4B	CJC	+	DH-851053-908B	H-983503-2	DH-851053-A93B		NL-19950-U	W-2456	CAX
3 X 100 (S)	4C	CJC	+	DH-851053-908C	H-983503-1	DH-851053-A93C	A-1609	NL-19950-S	W-1001	TEST CONNECTOR. CXP-5
3 X 100 + SC LEAD (R)	5A	CJC	+	DH-851053-909A	H-983504-1	DH-851053-A94A	AC-1862	NL-19954-A	W-1784	CAX FINDER OR SELECTOR-TPL
4 X 100 (R)	6A	CJC	+	DH-851053-910A	H-983505-1	DH-851053-A95A	H-850638-A (FIG. 1A)	DH-721003-90	H-721003	40-600.100D 100M
4 X 100 (R)	7A	CJD	+	DH-851053-911A	H-983506-1	DH-851053-A96A	AA-3408	NL-19952-R	WA-2823	TPS, 310, 311, CXP-6
4 X 100 (R)	7B	CJD	+	DH-851053-911B	H-983506-2	DH-851053-A96B	H-850677-A (FIG. 2A)	NL-19952-R	H-721023	CI-EAX (C & R MATRICES)
4 X 100 (S)	8A	CJD	+	DH-851053-912A	H-983507-1	DH-851053-A97A	AA-3408	NL-19952-S	WA-2823	TPS, 6L-DAS, IBM 7770
4 X 100 (S)	8B	CJD	+	DH-851053-912B	H-983507-2	DH-851053-A97B	H-850922-A (FIG. 1A)	DH-721356-90A	H-721356	CI-EAX (A & AR MATRICES)
4 X 100 + SC LEAD (R)	9A	CJD	+	DH-851053-913A	H-983508-1	DH-851053-A98A	AB-3596	NL-19953-A	WB-3549	80A, 30M, 80KS, CXP-5
4 X 100 + 10 DIGIT TRANSLATION (S)	10A	CJD	+	DH-851053-914A	H-983509-1	DH-851053-A99A	H-850638-A (FIG. 2A)	DH-721311-90	H-721311	100M
4 X 50 (R)	11A	CJE	+1, -1, T, R	DH-851053-915A	H-983510-1	DH-851053-900A	H-850349-A (FIG. 1A)	DH-720890-90	H-720890	RSA, CXP-5
4 X 50 (R)	11B	CJF	T, R, T, O, RD	DH-851053-915B	H-983510-2	DH-851053-900B	H-850835-A (FIG. 1A)	DH-721347-90	H-721347	CROSS POINT TANDEM
4 X 50 (R)	12A	CJE	ALL	DH-851053-916A	H-983511-1	DH-851053-901A	SK-4287-A			NO LINE VIDIO CXP-5
4 X 50 (S)	13A	CJE	+1, -1, T, R	DH-851053-917A	H-983512-1	DH-851053-902A				
4 X 50 (S)	14A	CJE	+	DH-851053-918A	H-983513-1	DH-851053-903A				
2 (4 X 25) (R)	15A	CJG	+1, -1 +Z, -Z	DH-851053-919A	H-983514-1	DH-851053-904A	H-850921-A (FIG. 1A)	DH-721357-90A	H-721357	CI-EAX (B MATRICES)

FIG. 1A

CROSS POINT SWITCH
(4 X 30 + SC LEAD)

ISSUE: 1
ISSUE: 2 A
ISSUE: 3

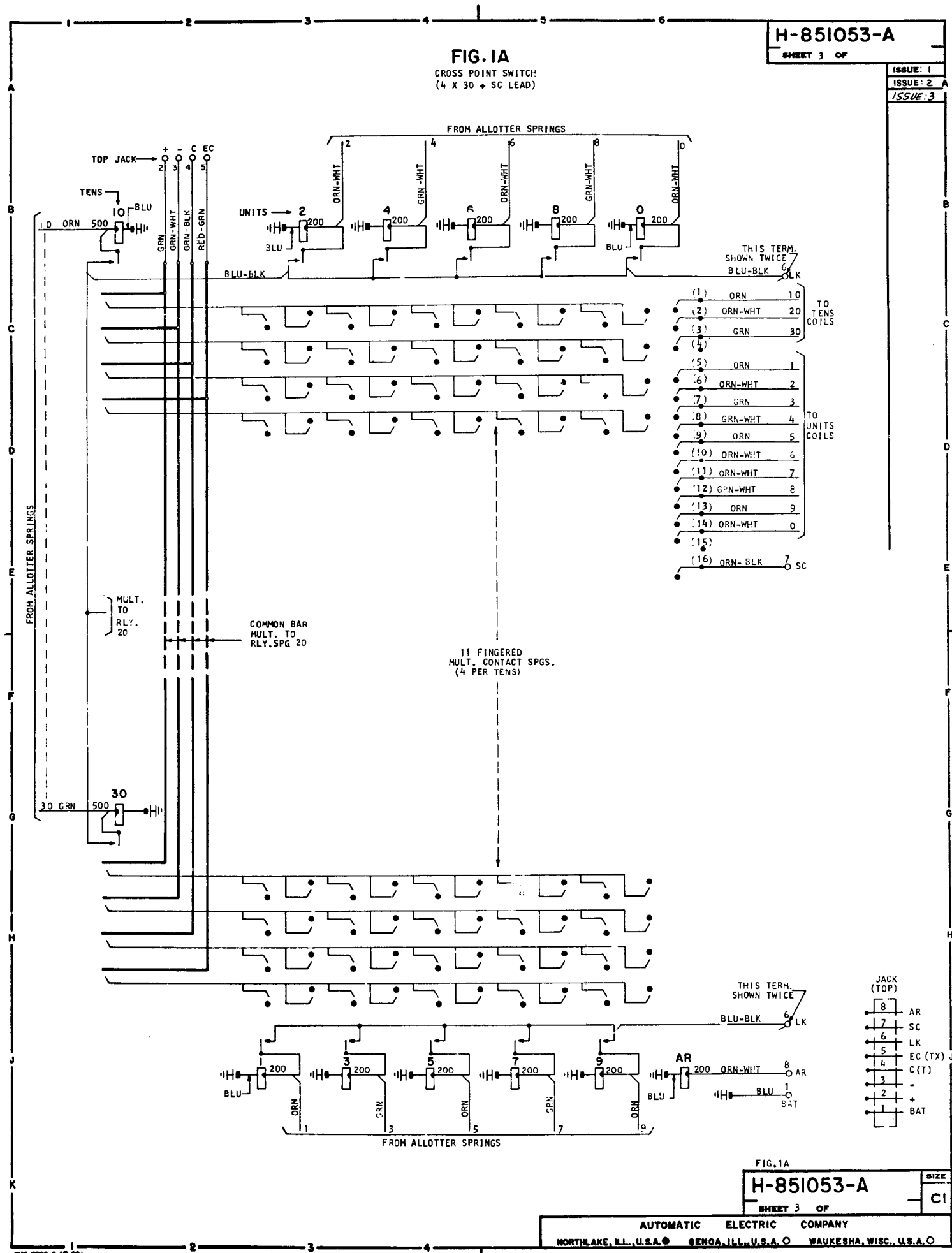


FIG. 1A

FIG. 2A OR 2B

CROSS POINT SWITCH
(4 X 60 + SC LEAD)
(NOTE 2)

ISSUE: 1
ISSUE: 2 A
ISSUE: 3

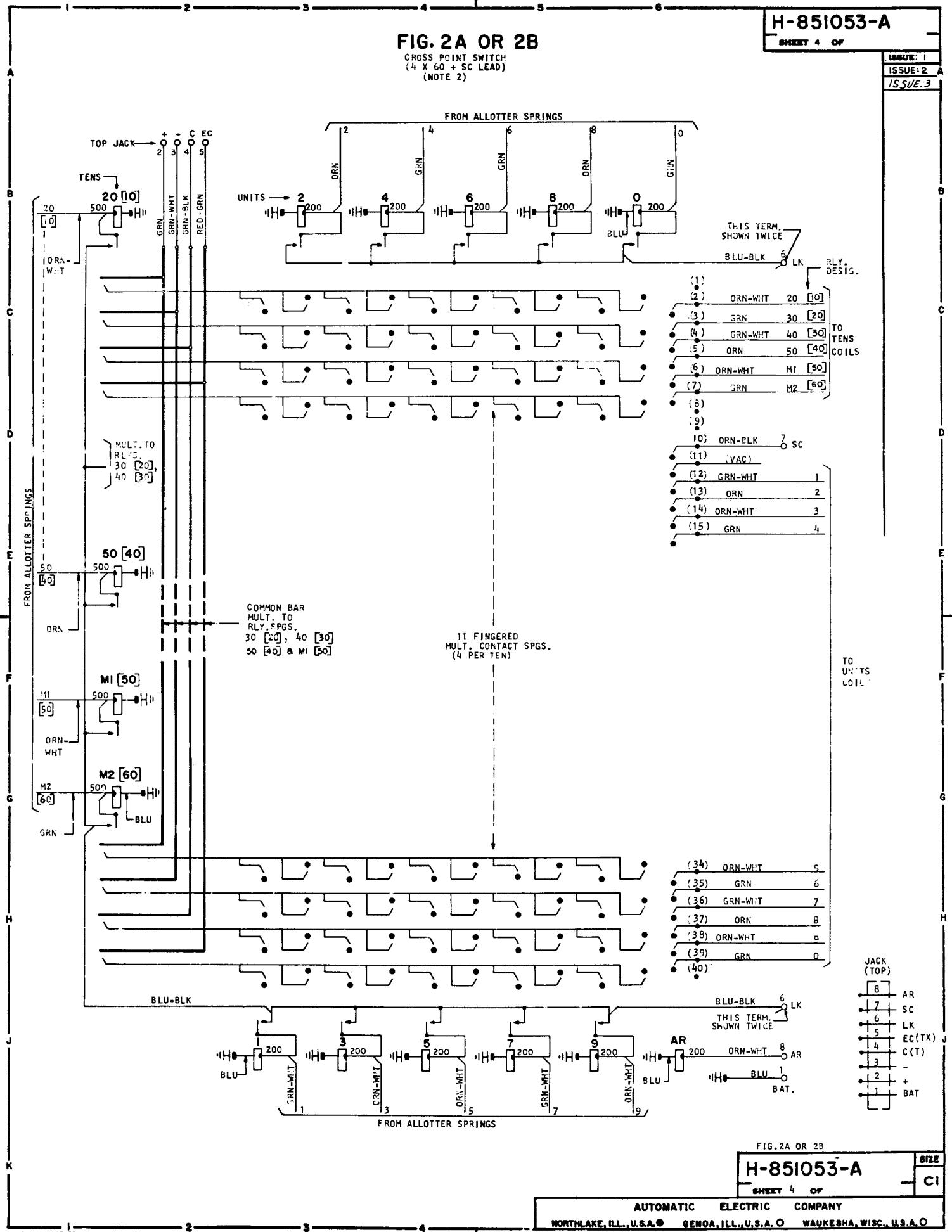


FIG. 2A OR 2B

SIZE
C1

FIG. 3A OR 3C

CROSS POINT SWITCH
(3 X 100)
("N" WRG.,
"R" WRG. & APP.)

FIG. 3B

CROSS POINT SWITCH
(3 X 100)
("T" WRG.,
"R" WRG. & APP.)

FIG. 4A OR 4C

CROSS POINT SWITCH
(3 X 100)
("N" WRG.,
"S" WRG. & APP.)

FIG. 4B

CROSS POINT SWITCH
(3 X 100)
("U" WRG.,
"S" WRG. & APP.)

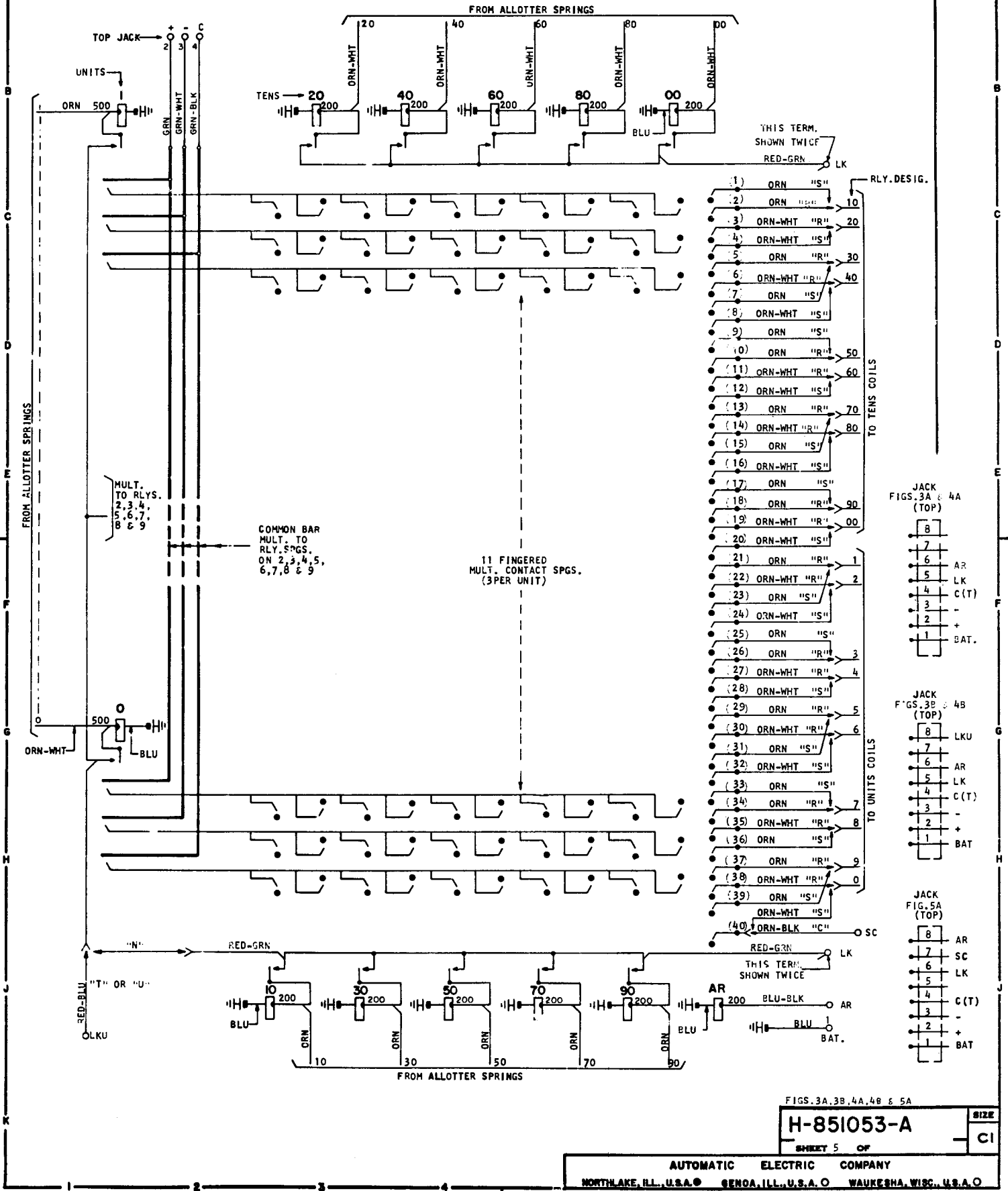
FIG. 5A

CROSS POINT SWITCH
(3 X 100 + SC LEAD)
("N" WRG.,
"C" WRG. & APP.)

H-851053-A

SHEET 5 OF

ISSUE: 1
ISSUE: 2 A
ISSUE: 3



FIGS. 3A, 3B, 4A, 4B & 5A

H-851053-A

SHEET 5 OF

SIZE
C1

AUTOMATIC ELECTRIC COMPANY
NORTHLAKE, ILL., U.S.A. GENOA, ILL., U.S.A. WAUKESHA, WISC., U.S.A.

FIG. 6A
CROSS POINT SWITCH
(3 X 100 + 10 DIGIT TRANSLATION)

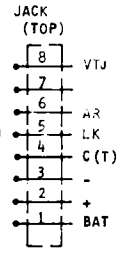
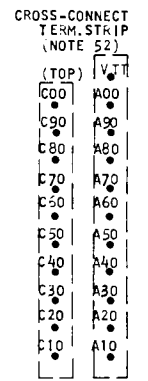
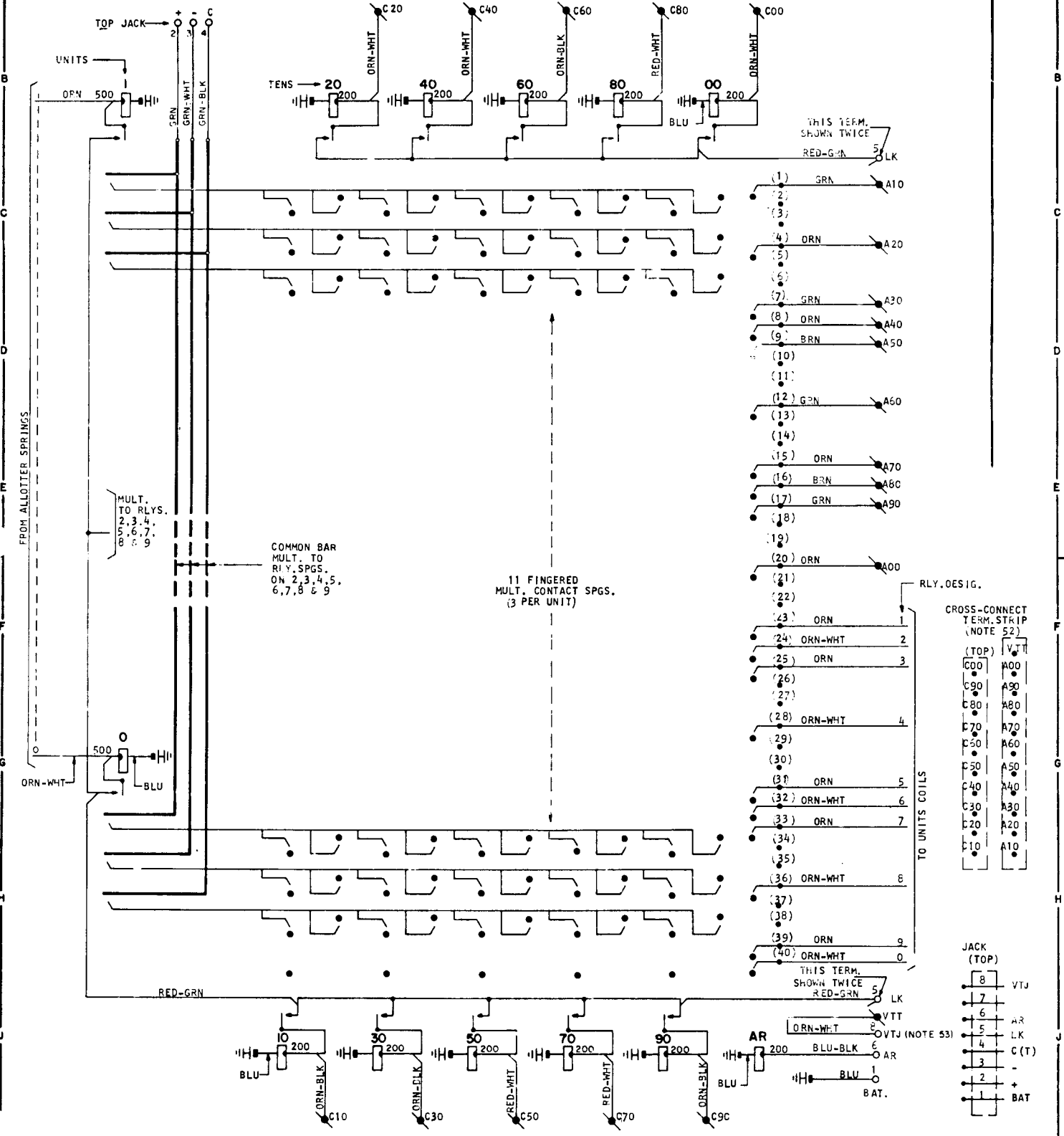


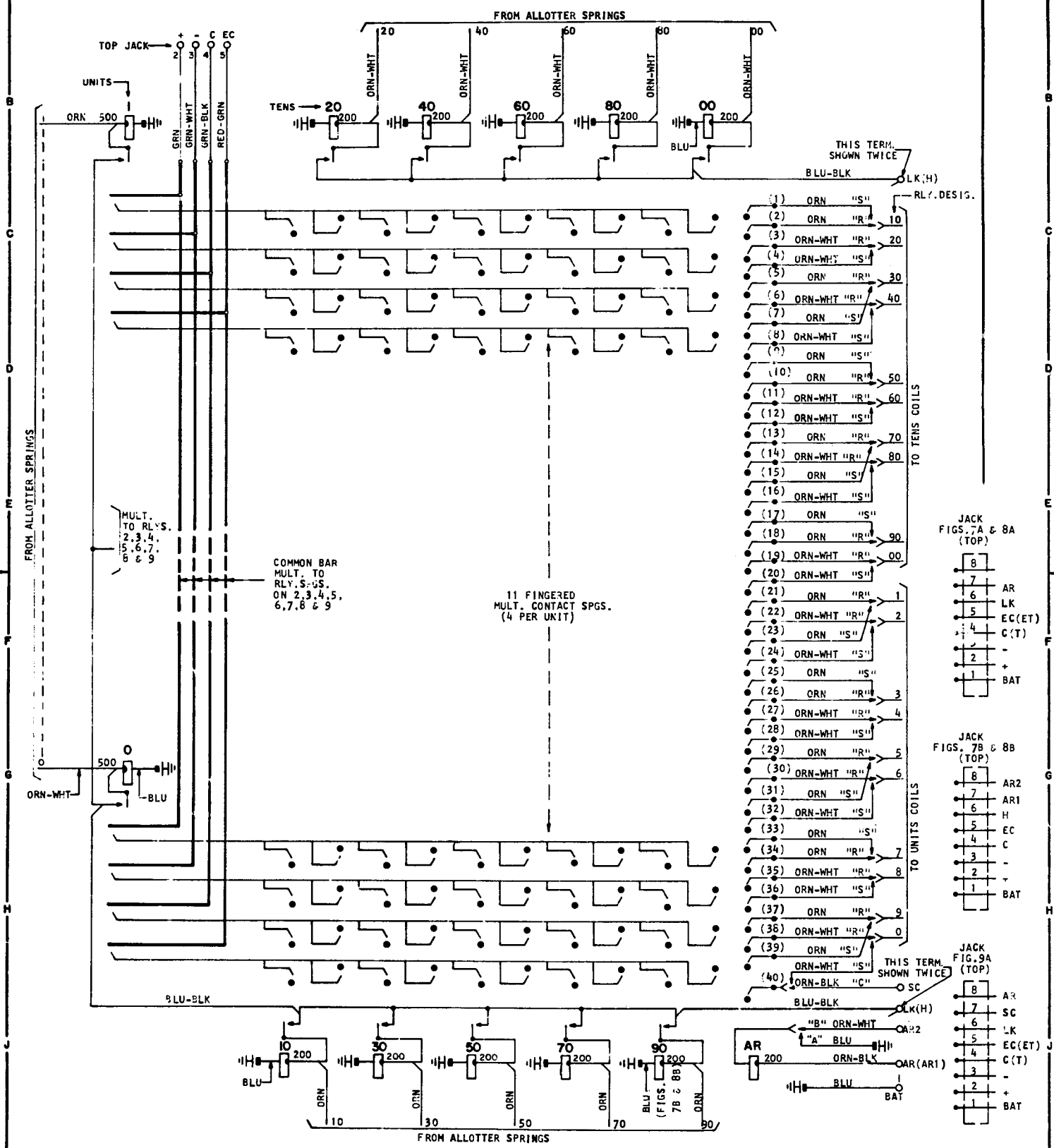
FIG. 7A
CROSS POINT SWITCH
(4 X 100)
("A" WRG.,
"R" WRG. & APP.)

FIG. 7B
CROSS POINT SWITCH
(4 X 100)
("B" WRG.,
"R" WRG. & APP.)

FIG. 8A
CROSS POINT SWITCH
(4 X 100)
("A" WRG.,
"S" WRG. & APP.)

FIG. 8B
CROSS POINT SWITCH
(4 X 100)
("B" WRG.,
"S" WRG. & APP.)

FIG. 9A
CROSS POINT SWITCH
(4 X 100 + SC LEAD)
("A" WRG.,
"R" WRG. & APP.
"C" WRG. & APP.)



FIGS. 7A, 7B, 8A, 8B & 9A

FIG. 10A

CROSS POINT SWITCH
(4 X 100 + 10 DIGIT TRANSLATION)

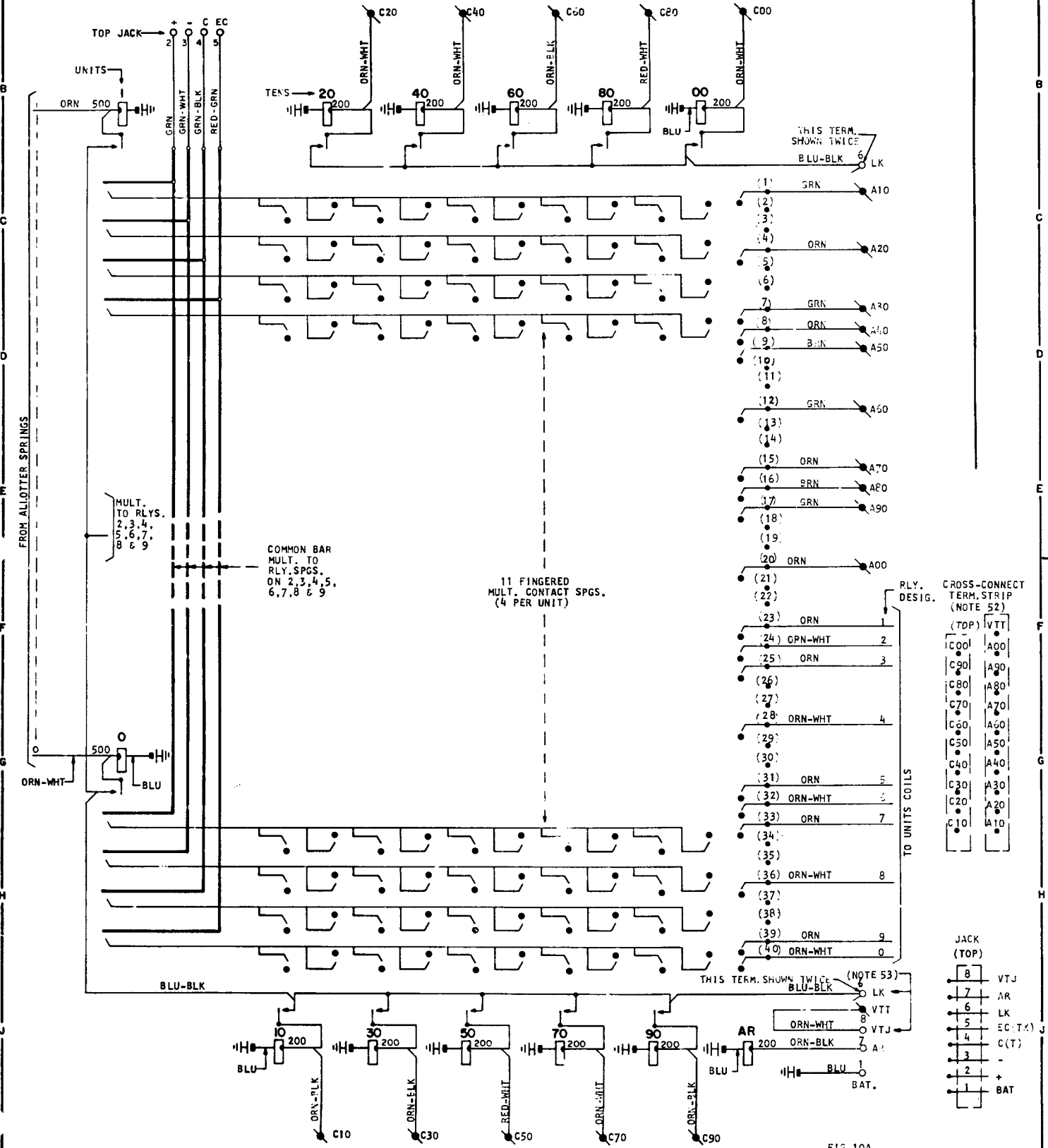


FIG. 10A

FIG. IIA, IIB & I2A

CROSS POINT SWITCH
(8 X 50)
("R" WRG. & APP.)
(NOTE 2)

FIG. I3A

CROSS POINT SWITCH
(8 X 50)
("S" WRG. & APP.)

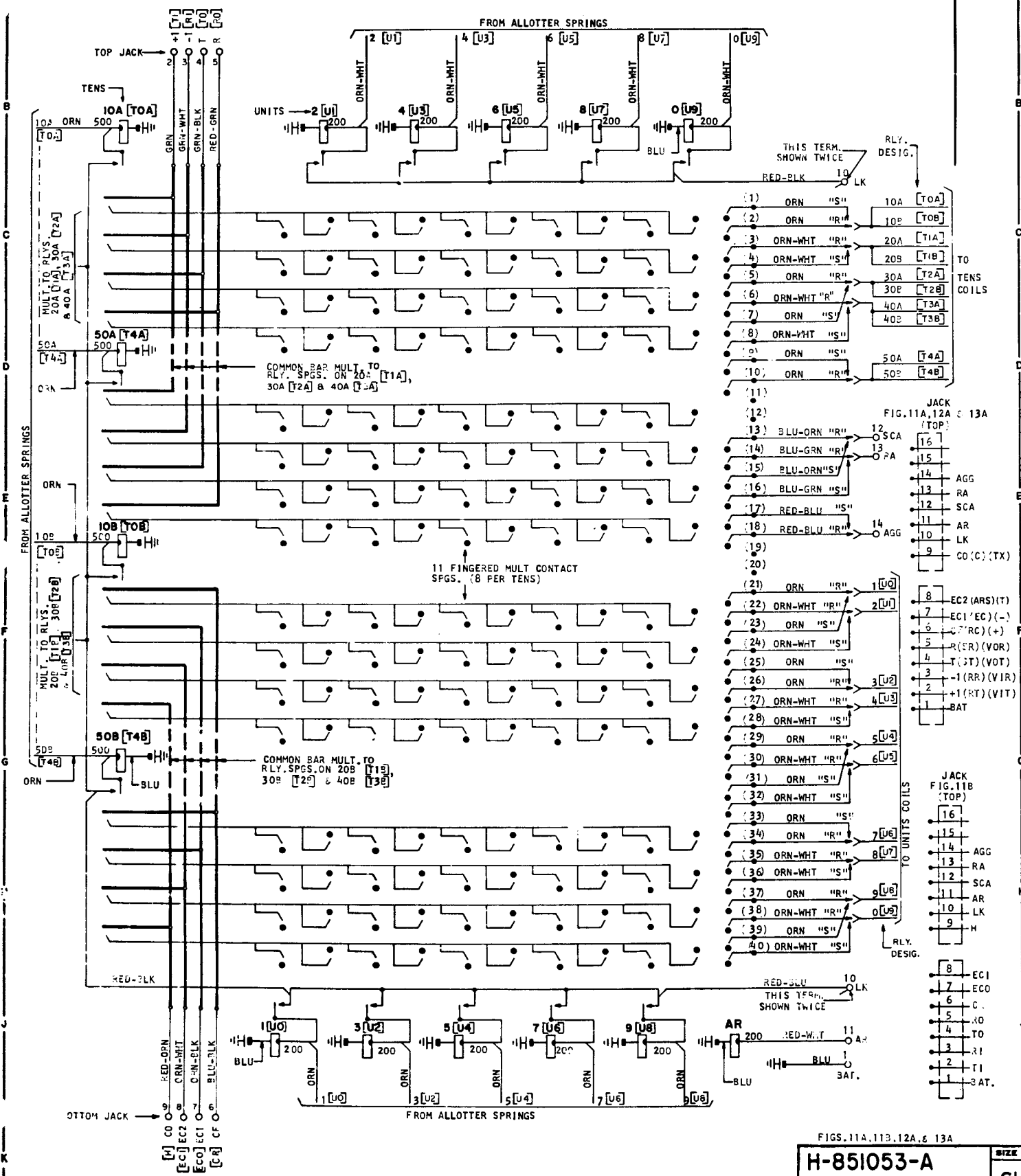
H-851053-A

SHEET 9 OF

ISSUE: 1

ISSUE: 2

ISSUE: 3



FIGS. I1A, I1B, I2A, & I3A

H-851053-A
SHEET 9 OF

AUTOMATIC ELECTRIC COMPANY
NORTH LAKE, ILL., U.S.A. • GENOA, ILL., U.S.A. • WAUKESHA, WIS., U.S.A. •

FIG. 14A
ALL LETTER SWITCH

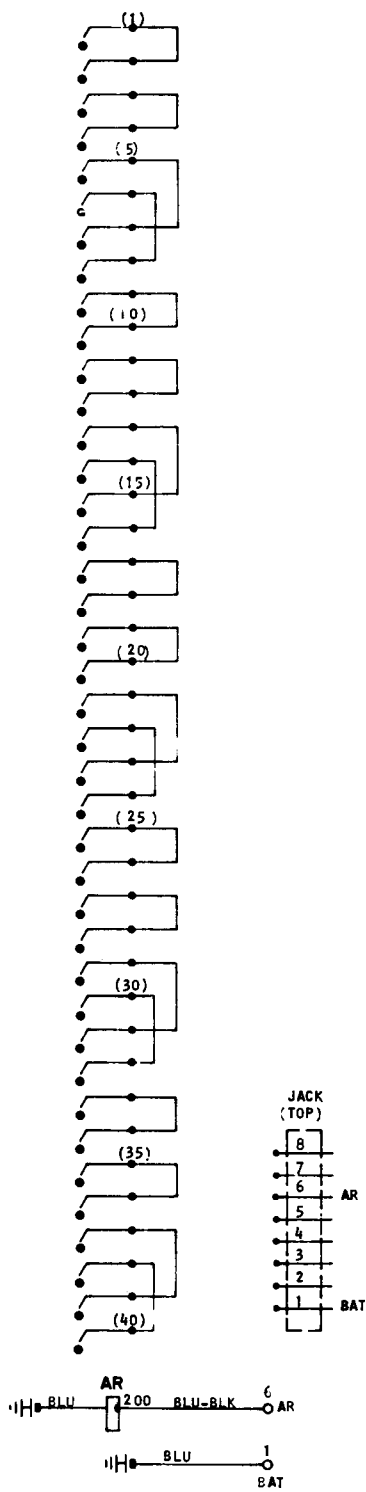
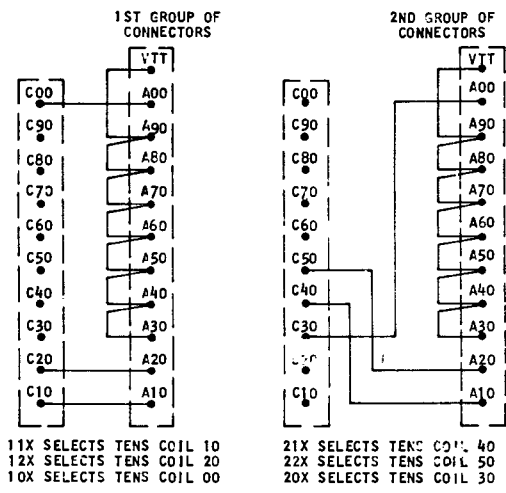


FIG. TS

TYPICAL STRAPPING ARRANGEMENT
(FOR REF. ONLY)
STRAPPING FOR CONDITIONS
DESCRIBED IN NOTE 52

(BOTH GROUPS OF SWITCHES ARE ASSOC. WITH SAME BANK MULT.)



FIGS. 14A & TS

FIG. 15A

CROSS POINT SWITCH
2 (4 X 25)

H-851053-A

SHEET 11 OF

ISSUE: 1
ISSUE: 2
ISSUE: 3

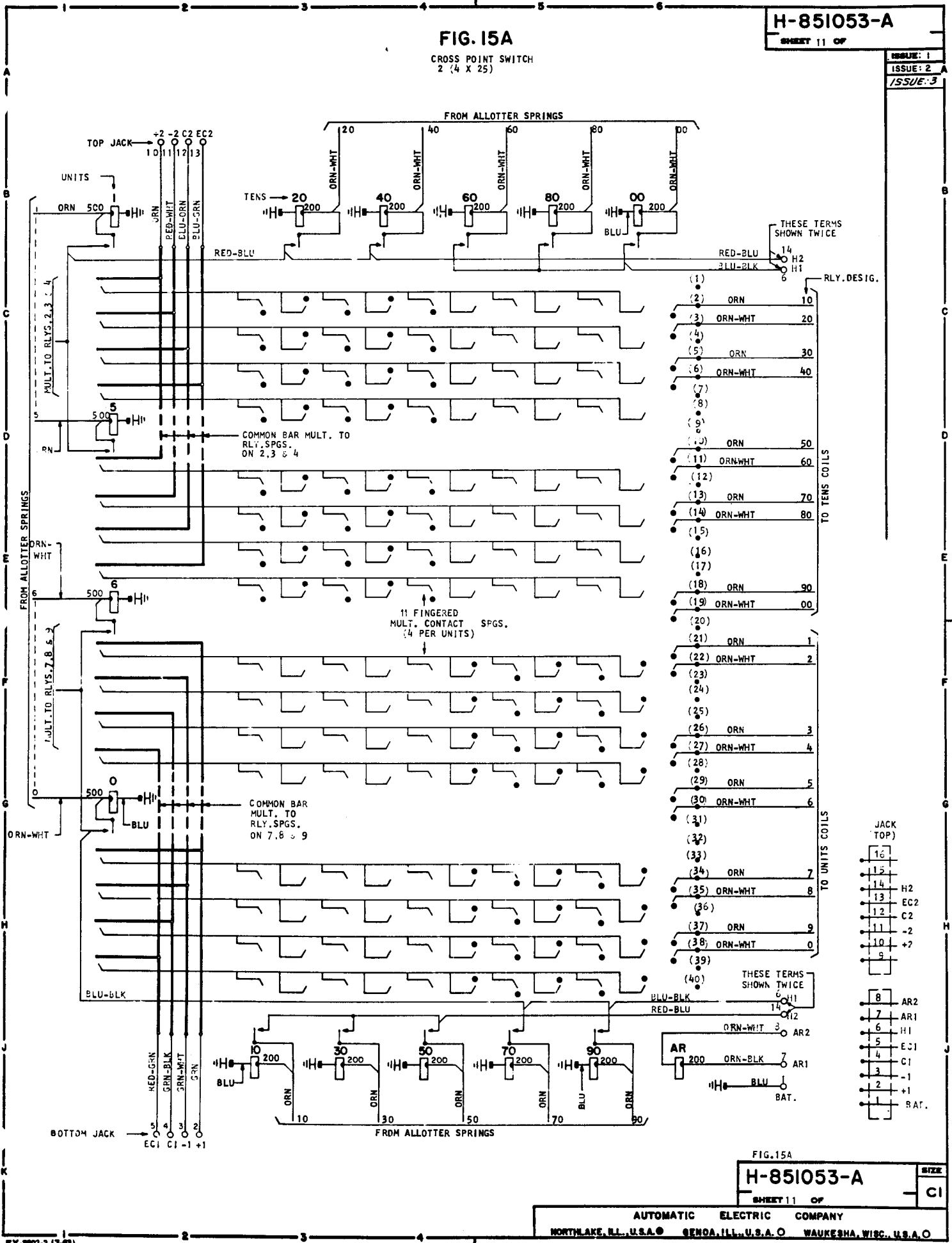


FIG. 15A

H-851053-A

SHEET 11 OF

SIZE
C1

AUTOMATIC ELECTRIC COMPANY
NORTH LAKE, ILL., U.S.A. © GENOA, ILL., U.S.A. © WAUKESHA, WIS., U.S.A. ©

FIG. CJA

RELAY SWITCH CENTER JACK
4 X 30 + SC LEAD
(FOR REF. ONLY)

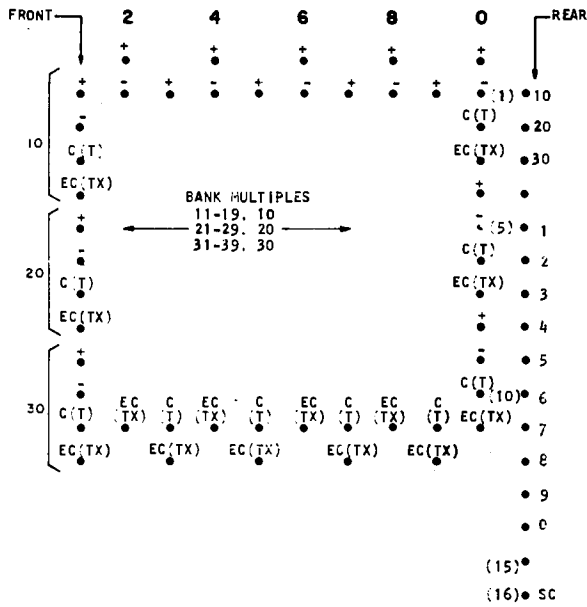
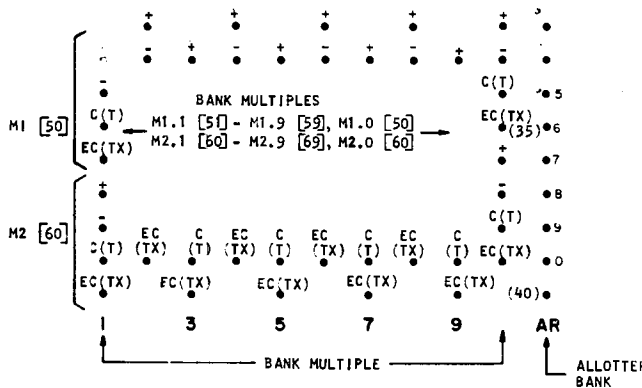
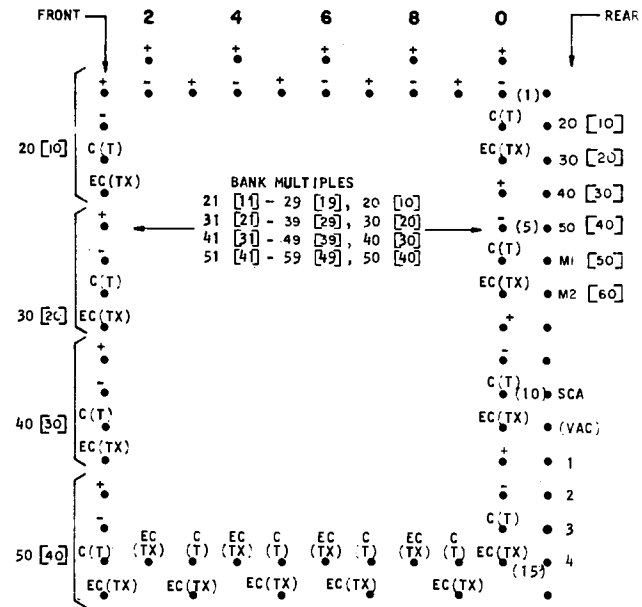


FIG. CJB

RELAY SWITCH CENTER JACK
4 X 60 + SC LEAD
(FOR REF. ONLY)



FIGS. CJA & CJB

FIG. CJC

RELAY SWITCH CENTER JACK
(3 X 100)
(REF. ONLY)

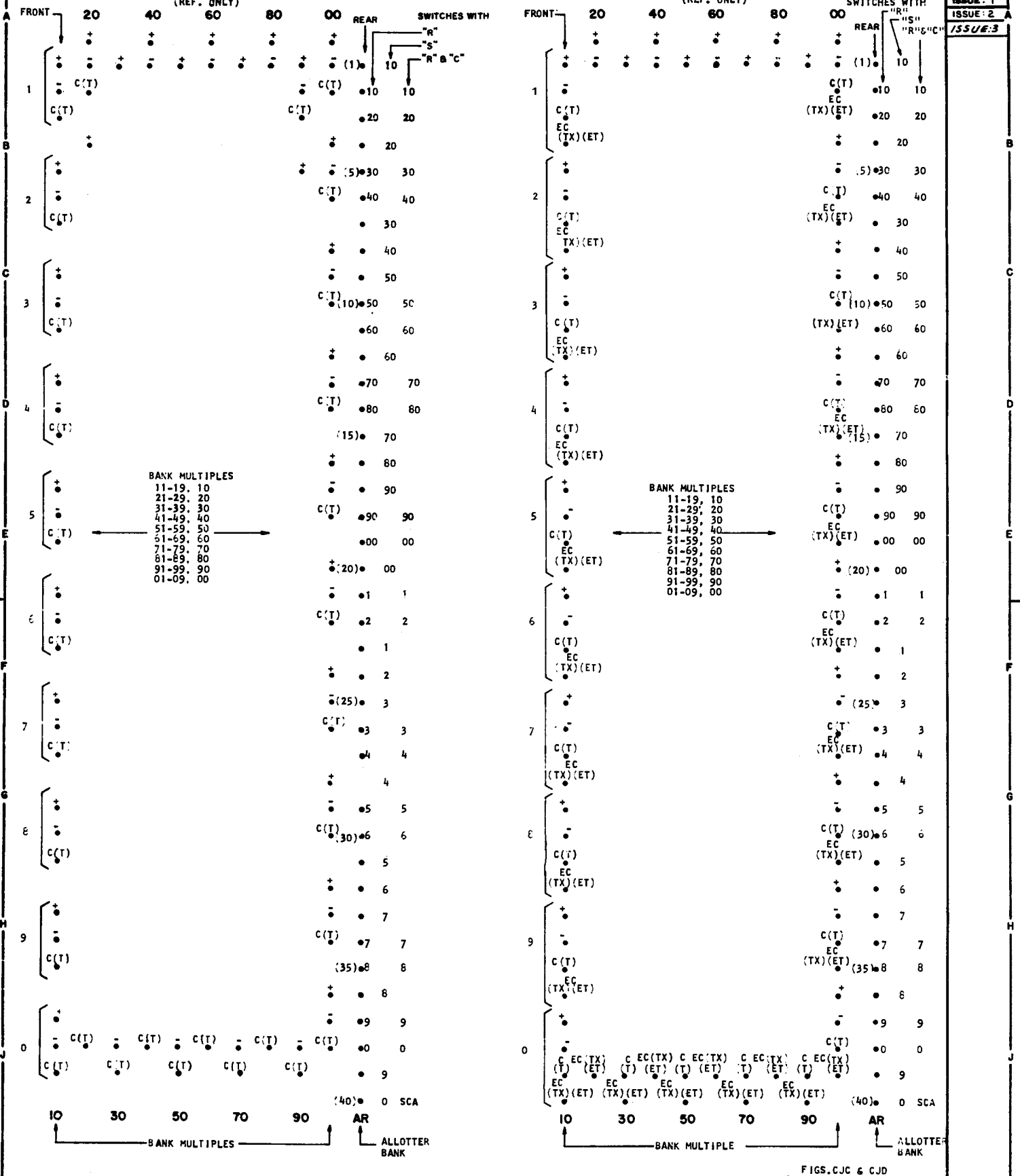
FIG. CJD

RELAY SWITCH CENTER JACK
(4 X 100)
(REF. ONLY)

H-851053-A

SHEET 13 OF

ISSUE: 1
ISSUE: 2
ISSUE: 3



H-851053-A
SHEET 13 OF

AUTOMATIC ELECTRIC COMPANY
NORTHLAKE, ILL., U.S.A. • GENOA, ILL., U.S.A. • WAUKESHA, WISC., U.S.A. O

FIG. CJE

RELAY SWITCH CENTER JACK
(8 X 50)
(REF. ONLY)

H-851053-A

SHEET 14 OF

ISSUE: 1
ISSUE: 2
ISSUE: 3

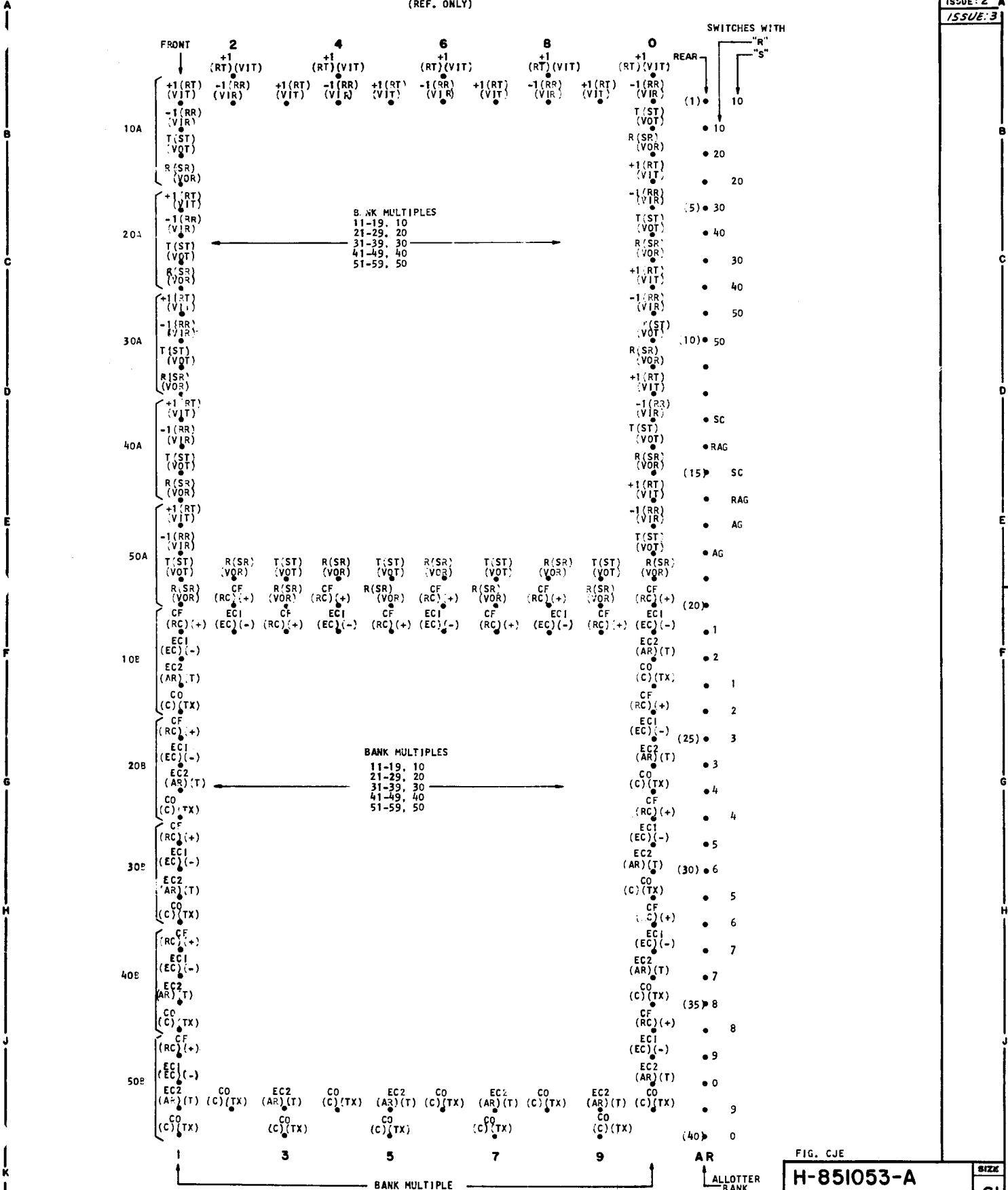


FIG. CJE

H-851053-A

SHEET 14 OF

SIZE
CI

AUTOMATIC ELECTRIC COMPANY
NORTHLAKE, ILL., U.S.A. • GENOA, ILL., U.S.A. • WAUKESHA, WISC., U.S.A.

FIG. CJF

RELAY SWITCH CENTER JACK
(8 X 50)
(REF. ONLY)

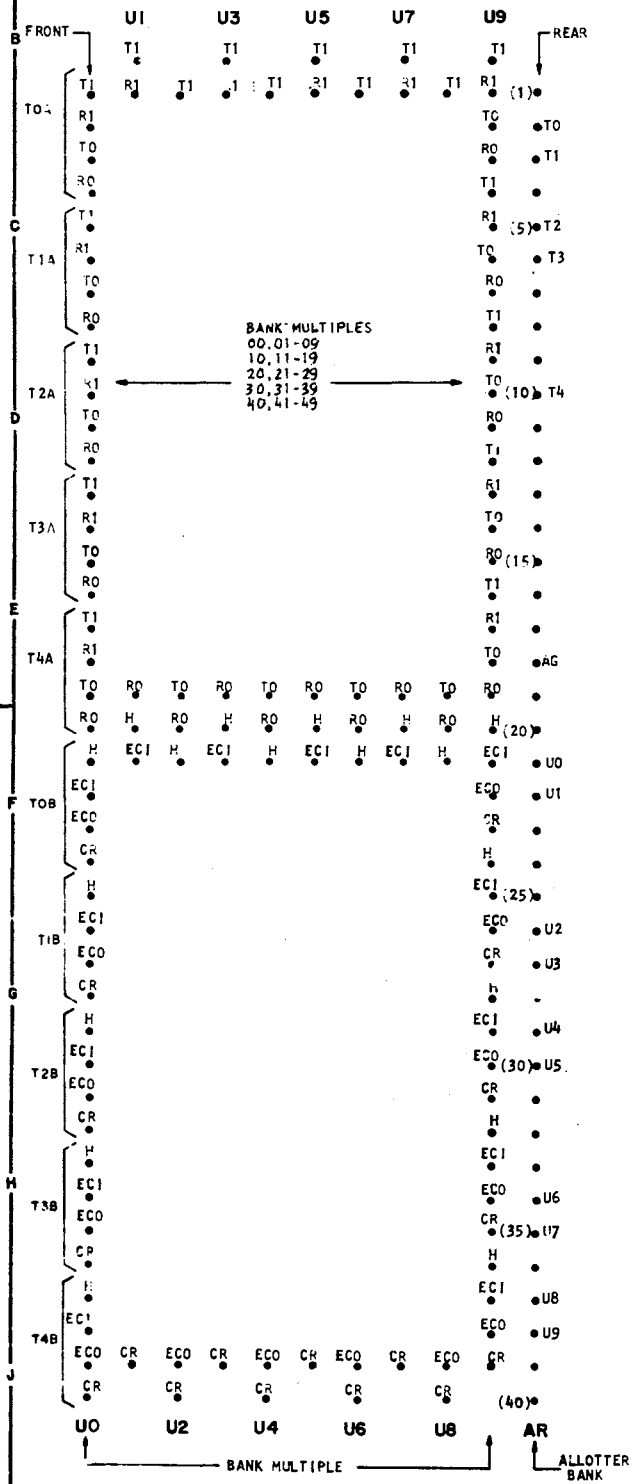
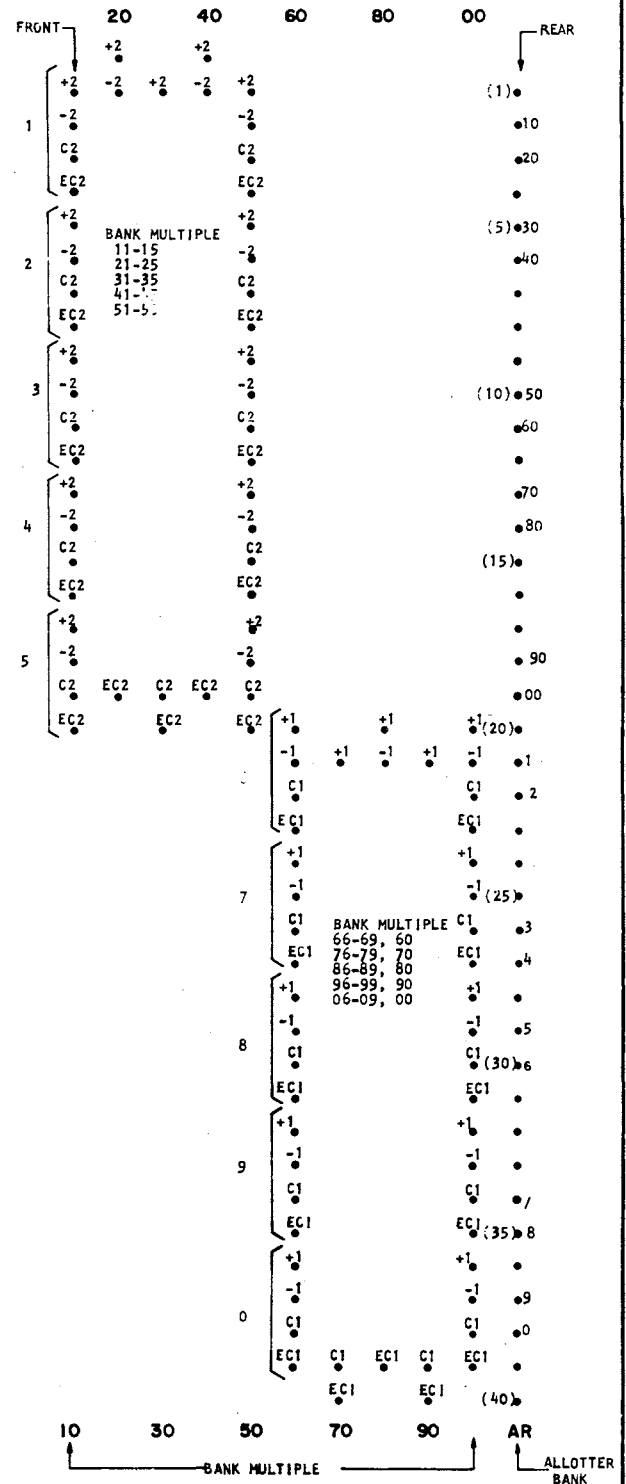


FIG. CJG

RELAY SWITCH CENTER JACK
(4 X 25)
(REF. ONLY)



FIGS. CJF & CJG