

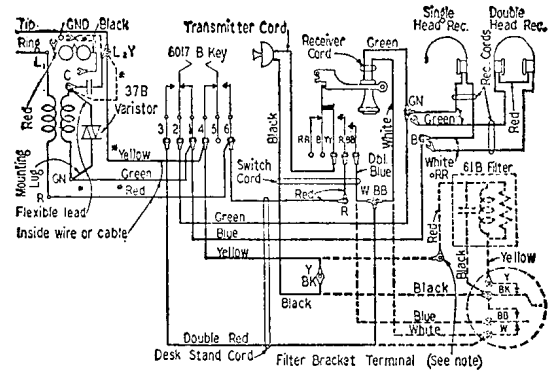
KEY EQUIPMENT 1A COMMON BATTERY—CONNECTIONS

1.00 GENERAL

1.01 This section covers the connections for sidetone and antisidetone installations of key equipment 1A at common battery stations.

1.02 Connections for a single-head receiver when it is the only receiver associated with a desk stand are shown in the sections covering connections for desk stands.

1.03 Connections for sidetone equipment are shown primarily for maintenance use, since antisidetone equipment should in general be furnished where head-receiver arrangements are provided.



Note: If filter is not provided, connect yellow lead from terminal 4 of key to Y of dial instead of to filter bracket terminal.

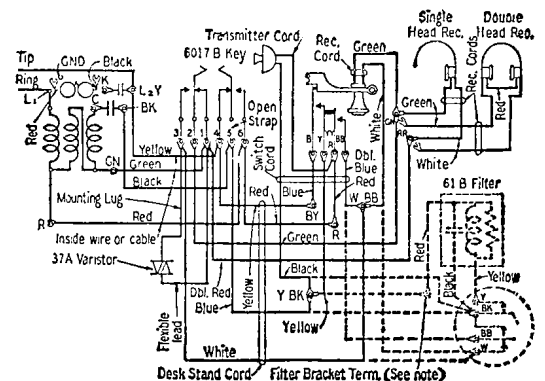
* For sidetone reduction at stations having bridged ringing capacitor, reverse yellow and red conductors at R and L₂Y terminals and connect black ringer lead to GND terminal. Remove capacitor from L₂Y terminal and connect to GND terminal.

Fig. 1 — 51CN Sidetone Desk Stand (Manual and Dial)

2.00 CONNECTIONS

2.01 Sidetone and antisidetone connections for the following classes of service are shown in Fig. 1 and 2, respectively.

- Individual lines (manual and dial)
- 2-party selective flat rate (manual and dial)
- 2-party selective message rate (manual and ring party dial only)
- 4-party semiselective (manual and dial)
- 4-party selective (manual and dial)
- Divided code ringing (manual and dial)
- 8-party semiselective (manual and dial)
- Nonselective party lines (manual only)
- Regular PBX stations (manual and dial)

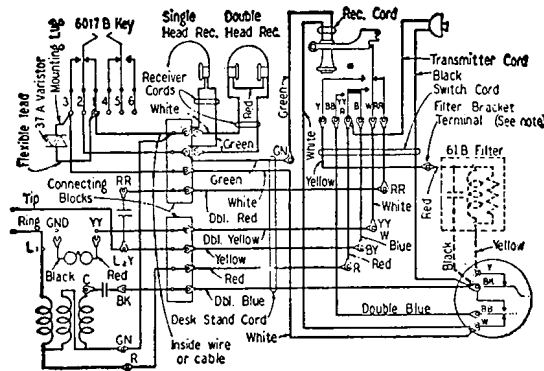


Note 1: If filter is not provided, connect yellow lead from Y of switchhook to Y of dial instead of to filter bracket terminal.

Note 2: The 37A varistor is located in key box and connected to terminals as indicated.

Fig. 2—151AL Antisidetone Desk Stand (Manual and Dial)

2.02 Antisidetone connections for 2-party selective message-rate dial tip-party stations are shown in Fig. 3.



Note 1: If filter is not provided, connect yellow lead from Y of switchhook to Y of dial instead of to filter bracket terminal.

Note 2: The 37A varistor is located in key box and connected to terminals as indicated.

* YYR and BB shall make last and break first. RR and W shall break before W and Y make.

Fig. 3 — 151C Antisidetone Desk Stand (Dial Only)