

TYPE 183 TELEPHONE SET
MODIFICATION FOR USE IN TYPE 10A1, 10A2, AND 16A KEY TELEPHONE SYSTEMS

1. GENERAL

1.01 This section describes the modifications required to adapt the Type 183 SPACE-MAKER® compact suspension telephone set for A-lead control in Type 10A1, 10A2, and 16A key telephone systems. The modified set may be used in conjunction with an external key or key adapter, or may be connected permanently to one of the key system lines.

1.02 This section is reissued to update information on the transmission network used in the Type 183 telephone. Wiring diagrams are also updated. Due to the nature of the changes involved, change indicators are omitted. Remove the previous issue of this section from the binder or microfiche file and replace it with this issue.

1.03 GTE AE practices are used by GTE employees for operating and maintaining the equipment it manufactures and sells. These practices may change or may not be suitable in a specific situation and so are recommended as suggested guidelines only. GTE AE hereby disclaims any responsibility and/or liability for any consequential or inconsequential damages that may result from the use of such practices. GTE AE acknowledges that the customer's special requirements policy/practices may take precedence over those supplied by GTE AE if conflicts develop during installation and on-going operation.

2. MODIFICATIONS

Type 183 Telephones Equipped With Self-Compensating HB-1055-A Transmission Network

2.01 The wiring diagram for Type 183 telephones equipped with self-compensating mounted transmission networks and modified for key system operation is shown in Figure 1. To modify these telephones for key system operation, perform the following procedure:

- (a) Remove the red hookswitch lead from terminal 2. Tape and store.
- (b) Remove the hookswitch lead from terminal 8. Tape and store.
- (c) Connect a jumper between terminals 11 and 10.
- (d) Connect the station wire as follows:
 - (1) Red to terminal 10 (L1).
 - (2) Green to terminal 8 (L2).
 - (3) Yellow to red hookswitch lead (A1) (refer to Note 6 in Figure 1).
 - (4) Black to white hookswitch lead (A) (refer to Note 6 in Figure 1).

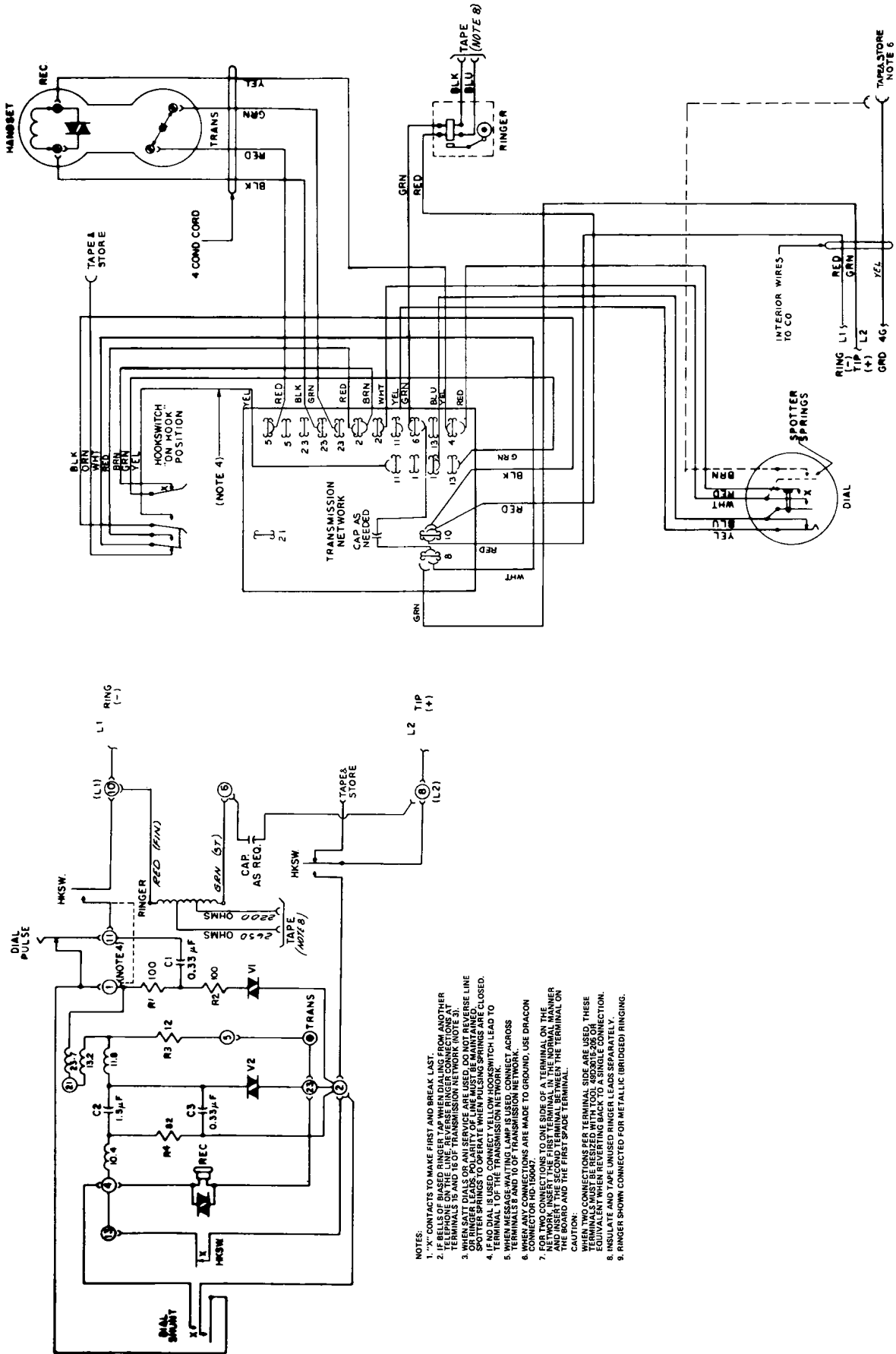
Type 183 Telephones Equipped With Self-Compensating D-38387-C Transmission Network

2.02 The wiring diagram for Type 183 telephones equipped with self-compensating, steel-cased, potted transmission networks and modified for key system operation is shown in Figure 2. To modify these telephones for key system operation, perform the following procedure:

- (a) Terminate the red hookswitch lead on terminal 20.
- (b) Terminate the white hookswitch lead on terminal 10.
- (c) Connect a red wire between terminals 11 and 15.
- (d) Connect the station wire as follows:
 - (1) Red to terminal 15 (L1).
 - (2) Green to terminal 16 (L2).
 - (3) Yellow to terminal 20 (A1).
 - (4) Black to terminal 10 (A).

Type 183 Telephones Equipped With Manually Adjusted Series Rheostats

2.03 Type 183 telephones equipped with manually-adjusted series rheostats require no modification prior to installation on a key system line because they are already arranged for A-lead control at network terminals 17 (A1) and 18 (A), as shown in Figure 3.



- NOTES:
1. "X" CONTACTS TO MAKE FIRST AND BREAK LAST.
 2. TELEPHONE ON THE LINE REVERSE RINGER CONNECTIONS AT TERMINALS 15 AND 16 OF TRANSMISSION NETWORK (NOTE 3).
 3. SPOTTER SPRINGS TO OPERATE WHEN PULSING SPRINGS ARE CLOSED. SPOTTER LEADS TO RINGER LEADS TO MESSAGE-WAITING LAMP.
 4. TERMINAL OF THE TRANSMISSION NETWORK LEAD TO MESSAGE-WAITING LAMP IS USED. CONNECT ACROSS TERMINALS 8 AND 10 OF TRANSMISSION NETWORK.
 5. WHEN MESSAGE-WAITING LAMP IS USED, CONNECT ACROSS TERMINALS 8 AND 10 OF TRANSMISSION NETWORK.
 6. CONNECTOR HD-15047.
 7. FOR TWO CONNECTIONS TO ONE SIDE OF A TERMINAL ON THE BOARD, THE FIRST TERMINAL LEAD IS MADE TO THE TERMINAL ON THE BOARD AND THE SECOND TERMINAL LEAD IS MADE TO THE TERMINAL ON THE BOARD AND THE FIRST SPADE TERMINAL.
- CAUTION
8. RINGER AND TAPES STORE CONNECTIONS PER TERMINAL SIDE ARE USED. THESE TERMINALS MUST BE REVERSED WITH TOOL #HD-2012-205 OR EQUIVALENT WHEN REVERTING BACK TO A SINGLE CONNECTION.
 9. RINGER AND TAPES STORE RINGER LEADS SEPARATELY.
 10. RINGER SPRING CONNECTED FOR METALLIC (BRIDGED) RINGING.

Figure 1. Schematic and Wiring Diagram for Type 183 Telephone Equipped With HB-1055-A Transmission Network.

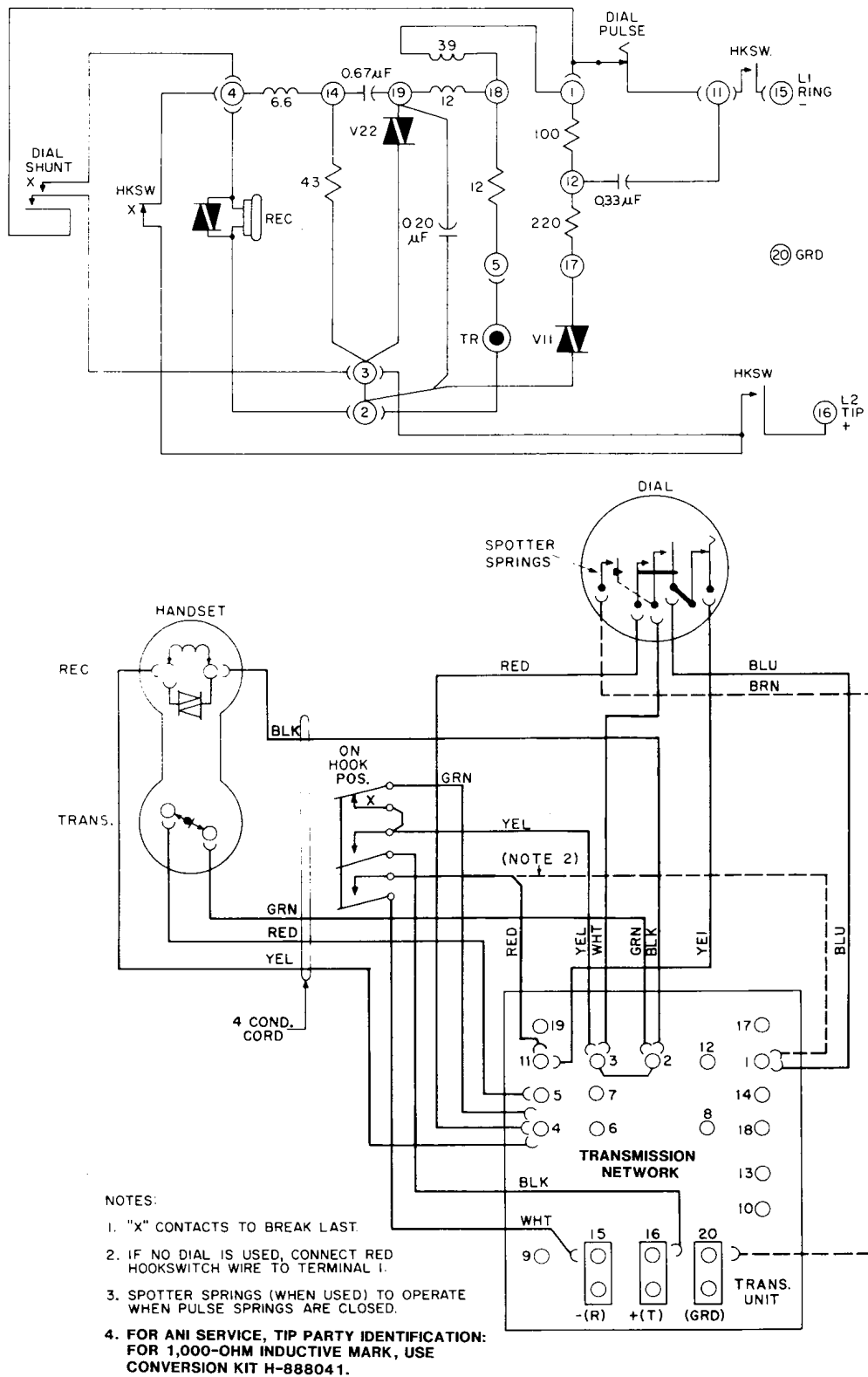


Figure 2. Schematic and Wiring Diagram for the Self-Compensating Type 183 Telephone Equipped With D-38387-C Transmission Unit.

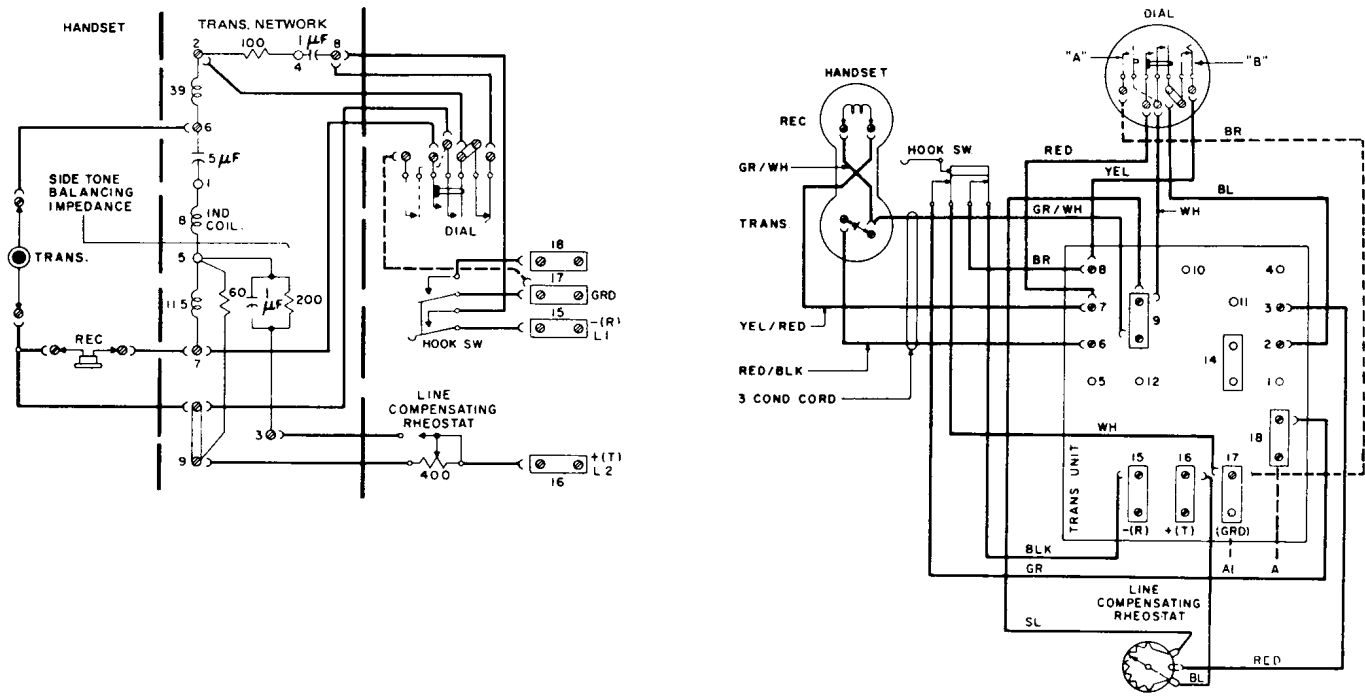


Figure 3. Schematic and Wiring Diagram for the Manually-Adjusted Type 183 Telephone Equipped With D-38387-C Transmission Network.