

GTE AUTOMATIC ELECTRIC  
TYPE 101-A DIRECTOR SYSTEM  
FUNCTIONAL SCHEMATICS

1. GENERAL

1.01 This addendum is being reissued to make additional changes in Section 240-205-040, Issue 1. In ink or red pencil, make the changes as indicated in Part 2. In the margin adjacent to these changes, write "See Addendum".

1.02 Remove and destroy all copies of Addendum 240-205-040, Issue 1. This addendum should then be filed in front of Section 240-205-040, Issue 1.

2. CHANGES

2.01 Correct the title to read "GTE AUTOMATIC ELECTRIC TYPE 101-A DIRECTOR SYSTEM FUNCTIONAL SCHEMATICS."

2.02 On page 25, cross out Figure 20. The new Figure 20 includes the class-of-service code field program panel F, and replaces the three input "AND" gate with a four input "AND" gate.

2.03 On Figure 24 (Page 29) change the reference to "INPUT CORREED COUNTING CHAIN" to read "OUTPUT CORREED COUNTING CHAIN", and change all references to relay contacts CD1, CD2, CD3, CD4, and CD5 to read CSI, CS2, CS3, CS4, and CS5 respectively.

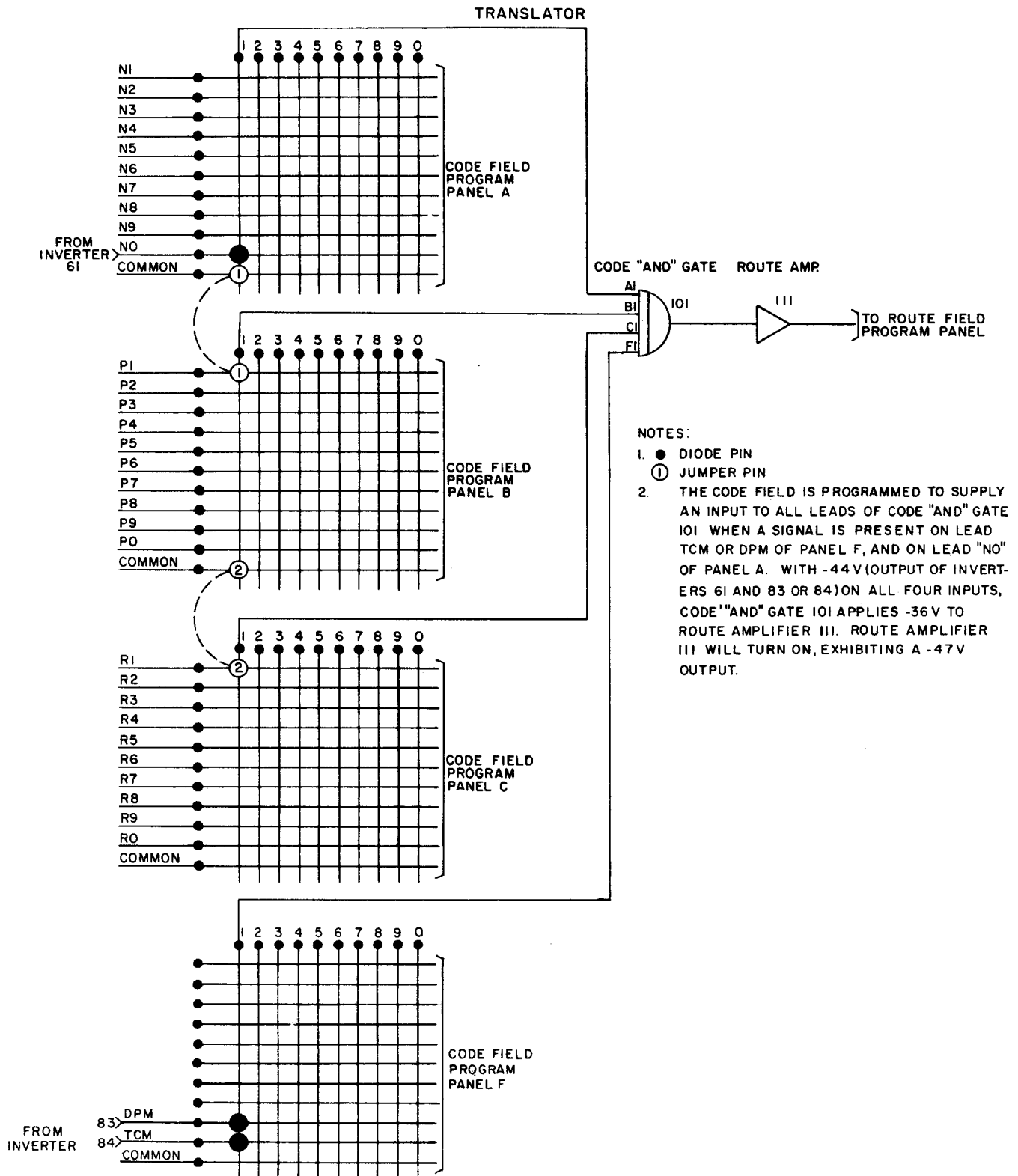


Figure 20. "O" CLR Call, Code Field Programming.